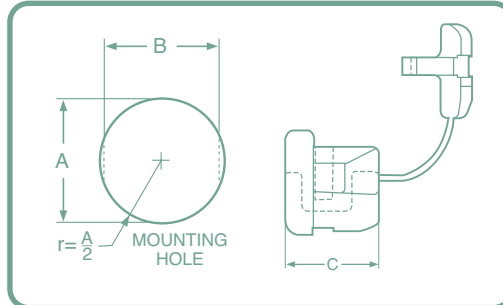




# Straight-Thru Strain Relief Bushings

## FOR FLAT CABLES



The original strain relief—the first and still the best.

Moulded of nylon 6/6 and UL and CSA certified, these strain reliefs protect the life-line of your electronic/electrical products by absorbing the forces of push, pull and twist that may be exerted on the flexible power cord.

They securely anchor, insulate and protect cables at panel entry points.

Part No.	A Mounting Hole Dia.	B To Prevent Rotation	Maximum Thickness	UL Wire Designation	AWG/ Conductors	Approximate Size	C Body Length
<b>SR2P-4</b>	.375	.345	.062	Clock SPT-1	20/2 18/2	.09x.18 .11x.21	.406 .406
<b>SR2L-1</b>	Same as SR2P-4 except		.125				
<b>SR3A-4</b>	.437	.390	.040*	SPT-1	18/2	.12x.22	.406
<b>SR3P-4</b>	Same as SR3A-4 except		.062				.406
<b>SR3W-1</b>	Same as SR3A-4 except		.100				.406
<b>SR3L-1</b>	Same as SR3A-4 except		.156				.406
<b>SR4P-4</b>	.500	.445	.100	SPT-1	18/2	.12x.22	.440
<b>SR4N-4</b>	.500	.465	.062	SPT-1 HPN	18/3 18/2	.12x.30 .15x.28	.406
<b>SR4K-4</b>	Same as SR4N-4 except		.100				
<b>SR4L-4</b>	Same as SR4N-4 except		.156				
<b>SR4K-1</b>	.500 .500 -.515	.460 .460	.095	SPT-1 SPT-2 & HPN HPN SPT-2 & HPN	18/3 18/2 18/3 16/2	.12x.30 .15x.28 .15x.34 .16x.30	.500
<b>SR4L-1</b>	Same as SR4K-1 except		.187				
<b>SR5KN-4</b>	.562	.530	.062	SPT-3 SPT-3 SPT-2 SPT-2	18/2 16/2 18/3 16/3	.19x.35 .20x.37 .15x.40 .16x.41	.609
<b>SR5K-4</b>	Same as SRKN-4 except		.125				
<b>SR6N4-4</b>	.625	.550	.062	SPT-2 SPT-2	18/3 16/3	.15x.40 .16x.41	.578
<b>SR6P4-4</b>	Same as SR6N4-4 except		.125				
<b>SR5W-1</b>	.562	.530	.125	HPN & SPT-2	16/3 18/3 16/3	.16x.37 .15x.40 .16x.41	.609

**Standard colour: Black. White and other colours available at premium charge if quantities are sufficient.**

**Continued**

\*To install strain reliefs for .040" maximum panel thickness, use R291 hand pliers.



# Straight-Thru Strain Relief Bushings

## FOR FLAT CABLES *CONTINUED*

Part No.	A Mounting Hole Dia.	B To Prevent Rotation	Maximum Thickness	UL Wire Designation	AWG/ Conductors	Approximate Size	C Body Length	
SR30-1**	.560**	.730**	.125	SPT-2	18/3	.15x.40	.672	
					16/3	.16x.41		
				SPT-3	18/2	.19x.35		
					18/3	.19x.39		
					16/2	.20x.37		
SR33-1**	.750**	.875**	.125	SPT-3	16/3	.20x.43	.781	
					16/2	.20x.37		
					16/3	.20x.43		
					14/2	.24x.42		
					14/3	.24x.51		
SR34-2	.875	.840	.125	SPT-3	14/2	.24x.42	.813	
					14/3	.24x.51		
					12/2	.29x.51		
					12/3	.29x.65		
SR31-2	.875	.840	.125	SPT-3	12/3	.32x.65	.813	
SR300-1**	.375 .375 .390 .415 .422 .422 .437	.625 -.640	.156	300 OHM†	SPT-1	18/3	.06x.40	.469
						18/3	.12x.30	
				SPT-2	18/3	.12x.30		
					18/3	.15x.40		
					18/3	.15x.40		
					16/3	.16x.41		
SR302-1**	Same as SR300-1 except		.100			.469		

**Standard colours: Black. White and other colours available at extra charge if quantities are sufficient.**

\*\*Use elongated hole.

†Wire is not UL/CSA covered.

## FOR FLAT CABLES with flex-protecting internal radii

Part No.	A Mounting Hole Dia.	B To Prevent Rotation	Maximum Thickness	UL Wire Designation	AWG/ Conductors	Approximate Size	C Body Length
SR4A-6	.500	.465	.040*	SPT-1	18/3	.12x.30	.546
				SPT-2 & HPN	18/2	.15x.28	.546
SR4N-6	Same as SR4A-6 except		.062				
SR4K-6	Same as SR4A-6 except		.100				

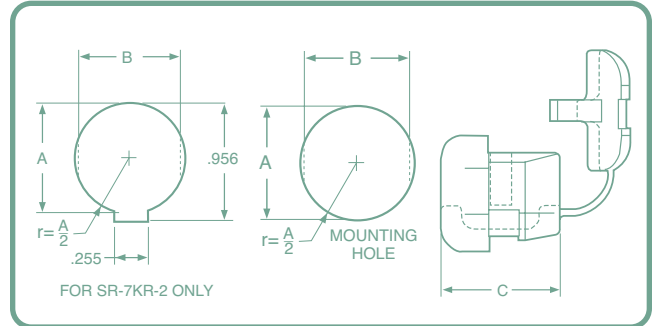
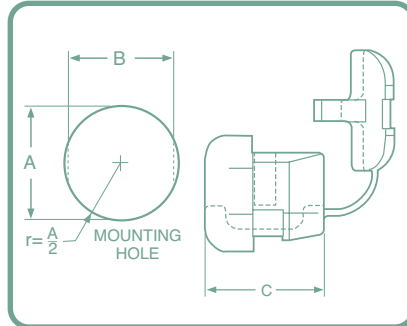
**Standard colours: Black. White and other colours available at extra charge if quantities are sufficient.**

\*To install strain reliefs for .040" maximum panel thickness, use R291 hand pliers.



# Straight-Thru Strain Relief Bushings CONTINUED

FOR ROUND CABLES



Part No.	A Mounting Hole Dia.	B To Prevent Rotation	Maximum Thickness	UL Wire Designation	AWG/ Conductors	Approximate Size	C Body Length
SR2M-1	.375	.330	.062	AWM	--	.125 -.187*	.406
SR5MN-3	.500	.450	.062	SV & SVT	18/2	.220 -.245	.438
SR5M-3	Same as SR5MN-3 except		.100				.438
SR5N-4	.500	.450	.062	SV	18/2	.250	.438
	.500 -.515			SVT	18/3	.255	
	.500			HPD	18/2	.270	
	.500 -.515				16/2	.290	
SR5P-4	Same as SR5N-4 except		.100				.438
SR5L-1	Same as SR5N-4 except		.156				.438
SR5P3-4	.500	.450	.100	SV & SVT	18/3	.255	.438
				HPD	16/2	.290	.438
SR6W-1	.500	.465	.090	SJ, SJT & SJO	18/2	.300	.578
SR6N-4	.625	.550	.062	SJ, SJT & SJO	18/2	.300	.578
SR6P-4	Same as SR6N-4 except		.125				.578
SR6N3-4	.625	.550	.062	SJ, SJT & SJO	16/2	.325	.578
					18/3	.330	
					14/2	.350	
					16/3	.355	
					18/4	.360	
SR6P3-4	Same as SR6N3-4 except		.125				.578
SR6L-1	.625	.550	.156	SJ, SJT & SJO	18/2	.300	.678
	.656				16/2	.325	
	.656				18/3	.330	
	.687				16/3	.355	
SR7K-2	.875	.770	.125	SJ, SJT & SJO	16/2	.325	.750
					18/3	.330	
					14/2	.350	
					16/3	.355	
					18/4	.360	
SR7KR-2	Same as SR7K-2 except		See Schematic				.750

Standard colours: Black. White and other colours available at extra charge if quantities are sufficient.

Continued

\*AWM cable only.



# Straight-Thru Strain Relief Bushings

FOR ROUND CABLES *CONTINUED*

Part No.	A Mounting Hole Dia.	B To Prevent Rotation	Maximum Thickness	UL Wire Designation	AWG/ Conductors	Approximate Size	C Body Length
SR7N-2	.750	.660	.062	SJT	18/4	.360	.750
					14/3	.370	
				S & ST	18/2	.390	
					18/3	.405	
					16/2	.405	
					16/3	.430	
SR7P-2	Same as SR7N-2 except		.125			.750	
SR7W-2	.875	.770	.125	SJT	14/3	.370	.750
					12/3	.425	
				S & ST	18/2	.390	
					18/3	.405	
					16/2	.405	
					16/3	.430	
SR7L-2	Same as SR7W-2 except		.200			.750	
SR31-2	.875	.840	.125	SJT	12/3	.425 -.475	.812
SR8N-2	.875	.840	.062	S & ST	14/2	.530	.828
					14/3	.560	
				12/2	.600		
SR8P-2	Same as SR8N-2 except		.125				.812
SR8L-2	Same as SR8N-2 except		.187				
SR9P-2	1.093	1.000	.281	S	12/2	.600	1.000
					12/3	.635	
				S, ST & SO	10/2	.640	
					10/3	.690	

Standard colours: Black. White and other colours available at premium charge if quantities are sufficient.

## STRAIN RELIEF LABKITS



Our labkits are perfect for product design departments, experimental labs and for all prototype work.

**LABKIT 1** is an assortment of strain reliefs with approximately the following quantities and part numbers. (Content may vary.)

20 each	SR3P-4
15 each	SR4N-4, SR5P-4, SR6W-1, SR6N3-4
10 each	SR5K-4, SR4K-6, SR14-1, SR8R-200
8 each	SR4N-5, SR5N-5
6 each	SR7P-2, SR11-2
5 each	SR30-1, SR5N-7
4 each	SR8P-2, SR4N-7
1 each	SR9P-2