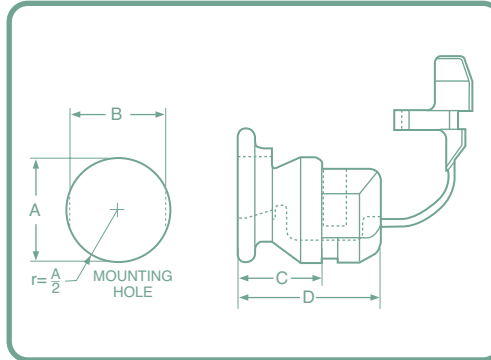




# Bell-Mouth Strain Relief Bushings

## FOR FLAT CABLES



These nylon 6/6 UL and CSA approved parts protect the lifeline of your electrical/electronic products by absorbing forces of pull, push, twist and flex.

Securely anchors, insulates and protects cables at panel entry points.

Flared trumpet exit eases the cable into a lazy bend, prevents sharp bending and assures longer cable and product life.

Part No.	A Mounting Hole Dia.	B To Prevent Rotation	Maximum Thickness	UL Wire Designation	AWG/ Conductors	Approximate Size	C Head Length	D Body Length
SR2P-5	.375	.330	.062	Clock	20/2	.09x.18	.375	.625
				SPT-2	18/2	.11x.21		
SR3P-5	.437	.390	.062	SPT-1	18/2	.12x.22	.375	.625
SR4N-5	.500	.465	.062	SPT-1	18/3	.12x.30	.406	.703
				SPT-2 & HPN	18/2	.15x.28		
					16/2	.16x.30		
SR6K-5	.500 -.515	.550	.125	HPN	18/3	.15x.34	.406	.813
					16/3	.16x.37		
					16/2	.16x.30		
					16/3	.16x.41		

## FOR ROUND CABLES

Part No.	A Mounting Hole Dia.	B To Prevent Rotation	Maximum Thickness	UL Wire Designation	AWG/ Conductors	Approximate Size	C Head Length	D Body Length
SR5N-5	.500 .500 -.515 .500 .500 -.515	.450	.062	SV & SVT	18/2	.250	.406	.688
					18/3	.255		
				HPD	18/2	.270		
					16/2	.290		
SR6P-5	.625	.550	.125	SJ,SJO&SJT	18/2	.300	.421	.813
SR6P2-5	.625	.550	.125	SJ,SJO&SJT	16/2	.315	.421	.813
					18/3	.320		
SR6N3-5	.625	.550	.062	SJ,SJO&SJT	16/2	.325	.421	.813
					18/3	.330		
					14/2	.350		
					16/3	.355		
					18/4	.360		
SR6P3-5	Same as SR6N3-5 except		.125				.468	.813

Standard colours: **Black. White and other colours available at premium charge if quantities are sufficient.**