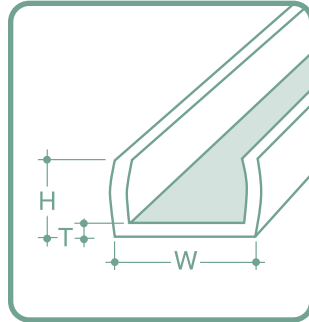




Grommeting CONTINUED

EXTRUDED UNSERRATED POLYETHYLENE



| Part No. | Max. Chassis Thickness | H | W | T |
|-----------|------------------------|------|------|------|
| GRUPE 40 | .040 | .190 | .125 | .040 |
| GRUPE 52 | .052 | .190 | .125 | .040 |
| GRUPE 62 | .062 | .200 | .170 | .045 |
| GRUPE 85 | .085 | .200 | .170 | .045 |
| GRUPE 100 | .100 | .220 | .210 | .045 |
| GRUPE 125 | .125 | .220 | .205 | .050 |
| GRUPE 187 | .187 | .270 | .275 | .050 |
| GRUPE 250 | .250 | .280 | .370 | .050 |

Minimum order 1 roll. Sold in rolls of 100 ft. only.
Standard colour: Natural.

*Browse our index to get an idea of the range of products we carry.
And see our line card on page 218.*