



# Wire and Cable Holders

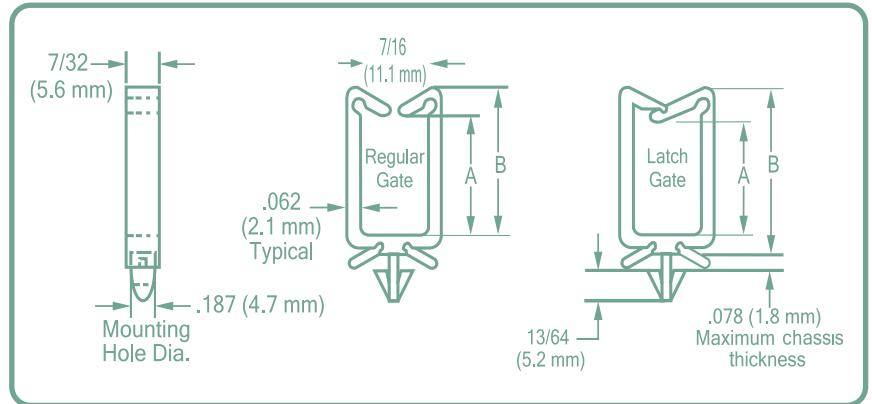
For low cost wire management. The push-mount style comes in vertical orientation for top entry and narrow width, and horizontal orientation for side entry and low height (good when clearance is a

problem). Both are available with either a regular gate or a latch gate closure. Install with fingertip pressure into a 3/16" diameter mounting hole. The bayonet mount self-adjusts to various chassis

thicknesses up to .090". These are stocked in white nylon but are also available in black.

**Please specify colour at time of order.**

## VERTICAL ORIENTATION—TOP ENTRY



Part No.	A	B	C
<b>Regular Gate</b>			
CHR12	11/64	11/32	31/64
CHR18	25/64	37/64	23/32
CHR27	3/4	15/16	1-1/16
CHR35	1-1/16	1-1/4	1-3/8
<b>Latch Gate</b>			
CHL12	9/64	11/32	31/64
CHL18	23/64	37/64	23/32
CHL27	23/32	15/16	1-1/16
CHL35	1-1/32	1-1/4	1-3/8

Minimum order 1000.

## SHORTY PUSH-MOUNT WIRE HOLDERS

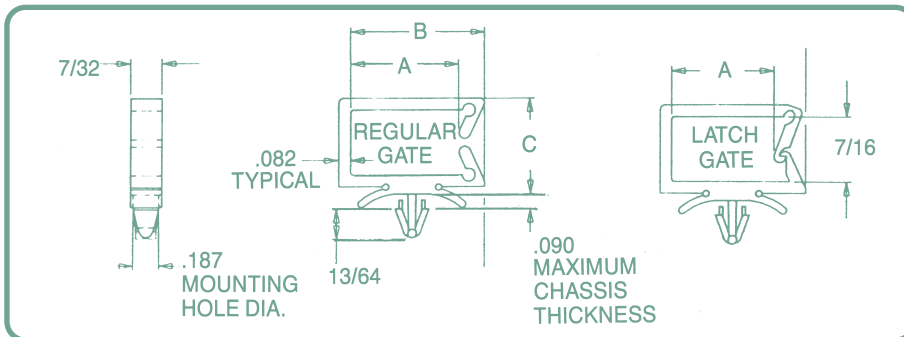
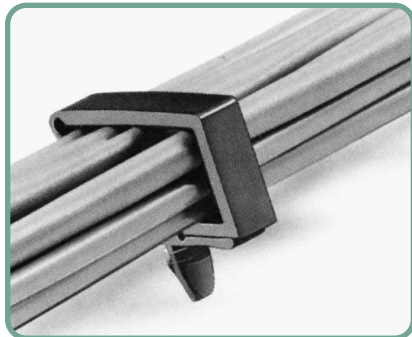
Part No.	Mounting Hole Diameter	Base Dimensions	Wire Capacity	Overall Height
CHRS0	.08	.08x.27	.17x.12	.23
CHRS1	.12	.17x.36	.25x.16	.29
CHRS2	.14	.17x.36	.25x.16	.29
CHRS3	.14	.17x.48	.37x.25	.45

Minimum order 1000.



# Wire and Cable Holders CONTINUED

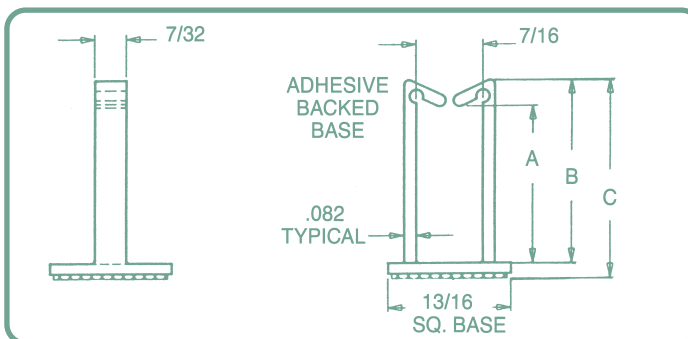
## HORIZONTAL ORIENTATION—SIDE ENTRY



Part No.	A	B	C
<b>Regular Gate</b>			
CHR27-90	3/4	59/64	21/32
CHR35-90	1-1/16	1-1/4	21/32
<b>Latch Gate</b>			
CHL27-90	23/32	59/64	21/32
CHL35-90	1-1/32	1-1/4	21/32

Minimum order 1000.

## SHORTY ADHESIVE-BACKED WIRE HOLDERS



Part No.	A	B	C
CHRA12	11/64	3/8	1/2
CHRA18	7/16	5/8	23/32
CHRA27	25/32	61/64	1-3/32

Minimum order 300.