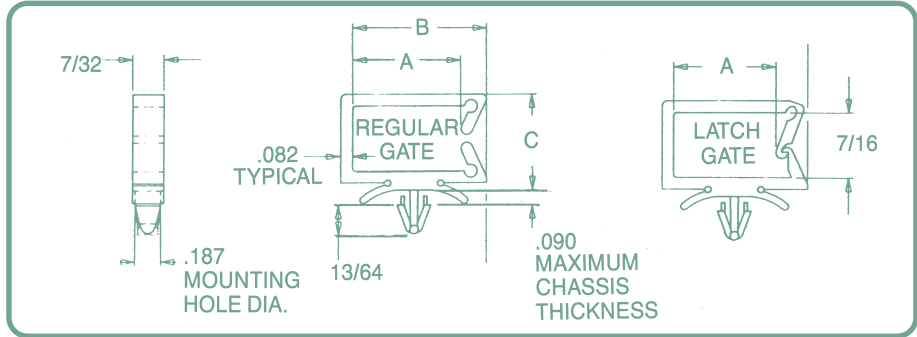
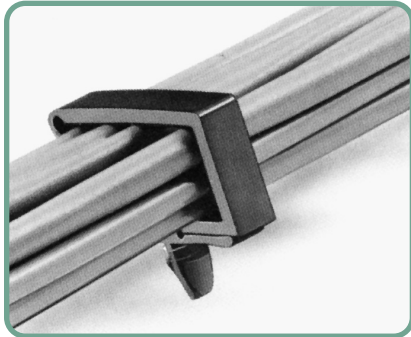




Wire and Cable Holders CONTINUED

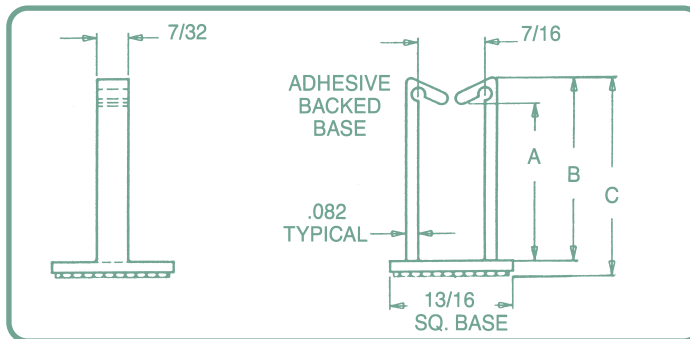
HORIZONTAL ORIENTATION—SIDE ENTRY



Part No.	A	B	C
Regular Gate			
CHR27-90	3/4	59/64	21/32
CHR35-90	1-1/16	1-1/4	21/32
Latch Gate			
CHL27-90	23/32	59/64	21/32
CHL35-90	1-1/32	1-1/4	21/32

Minimum order 1000.

SHORTY ADHESIVE-BACKED WIRE HOLDERS



Part No.	A	B	C
CHRA12	11/64	3/8	1/2
CHRA18	7/16	5/8	23/32
CHRA27	25/32	61/64	1-3/32

Minimum order 300.