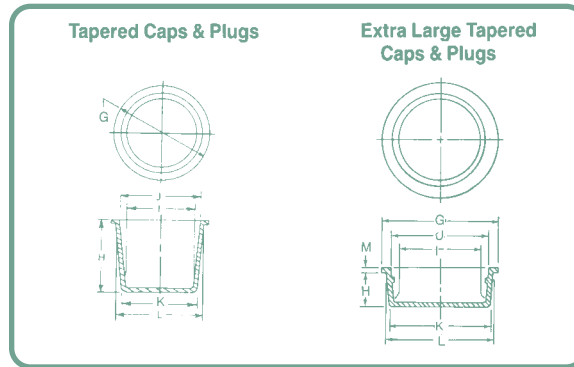


# Tapered Caps and Plugs

Tapered and flexible for easy installation and removal, these provide a snug fit as either a cap or plug. Protect threads and keep dirt and moisture out of pipes, valves, tubes, etc.

When using as a cap, "I" dimension should be at least .020"

*per inch* less than diameter to be capped. When using as a plug, "L" dimension should be at least .020" *per inch* larger than opening. Larger diameters may require more interference.



Part No.	N.P.T. Sizes		G	H	I	J	K	L
	Cap	Plug						
NIA 234-A			5/16	13/32	.052	.117	.116	.181
NIA 235-C			3/8	13/32	.110	.177	.174	.241
NIA 235-T			29/64	11/32	.146	.211	.210	.275
NIA 235-V			3/8	11/32	.150	.210	.209	.269
NIA 236-X			15/32	3/8	.175	.239	.239	.303
NIA 236-L			15/32	13/32	.205	.273	.267	.335
NIA 237-Y			1/2	13/32	.235	.303	.299	.367
NIA 229-Z		1/8	9/16	3/8	.267	.333	.331	.397
NIA 238-D			9/16	13/32	.298	.364	.362	.428
NIA 1193			11/16	29/32	.375	.375	.437	.437
NIA 239-E			19/32	13/32	.328	.395	.392	.459
NIA 181	1/8	1/4	5/8	13/32	.358	.422	.422	.486
NIA 240			21/32	13/32	.384	.448	.448	.512
NIA 189-C			11/16	5/16	.415	.485	.477	.547
NIA 189			11/16	15/32	.408	.484	.472	.548
NIA 189-2			23/32	15/32	.436	.504	.500	.568
NIA 241	1/4		3/4	15/32	.469	.544	.533	.608
NIA 241-S			3/4	11/32	.490	.550	.552	.612
NIA 188		3/8	25/32	1/2	.487	.569	.551	.633
NIA 242			27/32	17/32	.518	.606	.580	.668
NIA 242-2			27/32	17/32	.549	.634	.610	.695
NIA 243			7/8	1/2	.578	.665	.642	.729
NIA 191	3/8		7/8	17/32	.614	.691	.678	.755
NIA 203		1/2	15/16	19/32	.627	.723	.691	.787
NIA 710			55/64	3/16	.688	.743	.750	.805

Minimums available on request.

Orange Low Density Polyethylene. Mil Spec (MIL-C-5501/7, MIL-C-52078).

Continued



# Tapered Caps and Plugs CONTINUED

Part No.	N.P.T. Sizes		G	H	I	J	K	L
	Cap	Plug						
NIA 245			1	19/32	.663	.761	.727	.825
NIA 246			1	19/32	.688	.785	.752	.849
NIA 204	1/2		1-1/16	21/32	.739	.848	.803	.912
NIA 247			1-1/8	5/8	.755	.869	.819	.933
NIA 192-2-C		3/4	1-1/8	21/32	.790	.894	.854	.958
NIA 192-1		3/4	1-1/8	3/4	.805	.909	.869	.973
NIA 192-2		3/4	1-1/8	21/32	.805	.909	.869	.973
NIA 277			1-5/32	1/2	.878	.980	.942	1.040
NIA 248			1-5/32	23/32	.855	.980	.915	1.040
NIA 709			1-5/16	7/8	.940	.960	1.020	1.040
NIA 249-1			1-1/4	1/2	.918	.985	.980	1.049
NIA 249-2			1-1/4	1-1/32	.890	1.030	.950	1.090
NIA 249	3/4		1-9/32	3/4	.903	1.028	.967	1.092
NIA 249-W			1-7/16	3/4	.918	1.047	.975	1.104
NIA 153			1-5/16	25/32	.933	1.080	.997	1.144
NIA 193		1	1-13/32	25/32	1.029	1.155	1.093	1.219
NIA 250-S			1-7/16	21/32	1.113	1.223	1.180	1.284
NIA 250-SW			1-43/64	21/32	1.113	1.222	1.175	1.284
NIA 250			1-7/16	3/4	1.115	1.222	1.179	1.286
NIA 1153			1-3/8	9/16	1.155	1.190	1.276	1.312
NIA 251			1-1/2	3/4	1.162	1.290	1.226	1.354
NIA 205	1		1-1/2	27/32	1.175	1.300	1.233	1.358
NIA 252			1-1/2	3/4	1.231	1.295	1.292	1.356
NIA 253-S			1-5/8	17/32	1.286	1.401	1.350	1.465
NIA 253			1-5/8	3/4	1.248	1.401	1.312	1.465
NIA 727			1-3/4	51/64	1.340	1.420	1.435	1.500
NIA 253-2			1-49/64	15/16	1.282	1.450	1.344	1.507
NIA 254-S			1-3/4	7/8	1.384	1.537	1.447	1.600
NIA 254		1-1/4	1-3/4	3/4	1.387	1.537	1.451	1.601
NIA 194			1-25/32	3/4	1.455	1.538	1.519	1.602
NIA 195-F	1-1/4		1-7/8	25/32	1.498	1.620	1.560	1.682
NIA 195-S	1-1/4		1-7/8	5/8	1.514	1.628	1.574	1.688
NIA 255			1-15/16	3/4	1.569	1.686	1.633	1.750
NIA 1972		1-1/2	2-1/32	3/4	1.664	1.794	1.720	1.850
NIA 196		1-1/2	2	25/32	1.688	1.818	1.752	1.882
NIA 206	1-1/2		2-5/32	1	1.743	1.874	1.807	1.938
NIA 911			2-3/8	43/64	1.785	1.895	1.865	1.975
NIA 256			2-1/8	1	1.783	1.936	1.847	2.000
NIA 806			2-13/64	3/4	1.885	2.000	1.950	2.065
NIA 257			2-1/4	1	1.839	2.014	1.903	2.078
NIA 258			2-1/4	1	1.917	2.069	1.981	2.133
NIA 258-S			2-19/32	3/8	2.060	2.076	2.100	2.140
NIA 259			2-5/16	3/4	1.953	2.083	2.017	2.147
NIA 260			2-7/16	1-1/32	2.000	2.174	2.070	2.244
NIA 261			2-19/32	1	2.074	2.265	2.136	2.312

Minimums available on request.

Orange Low Density Polyethylene. Mil Spec (MIL-C-5501/7).

Continued



# Tapered Caps and Plugs CONTINUED

Part No.	N.P.T. Sizes		G	H	I	J	K	L
	Cap	Plug						
NIA 1230			2-51/64	3/4	2.216	2.336	2.280	2.400
NIA 262			2-17/32	1-1/32	2.065	2.344	2.129	2.408
NIA 207	2		2-5/8	1	2.236	2.400	2.300	2.464
NIA 708			2-21/32	3/4	2.220	2.383	2.300	2.464
NIA 263			2-13/16	1-5/32	2.332	2.540	2.396	2.604
NIA 264			2-25/32	21/32	2.418	2.581	2.482	2.645
NIA 265			2-25/32	1	2.247	2.586	2.311	2.650
NIA 267			2-7/8	3/4	2.497	2.626	2.561	2.690
NIA 266			2-7/8	1	2.393	2.686	2.457	2.750
NIA 199		2-1/2	2-31/32	25/32	2.579	2.728	2.641	2.790
NIA 2156			2-31/32	1/2	2.595	2.728	2.655	2.788

Minimums available on request.

Orange Low Density Polyethylene. **Mil Spec (MIL-C-5501/7).**

## Extra Large Tapered Caps & Plugs

Part No.	N.P.T. Sizes		G	H	I	J	K	L	M
	Cap	Plug							
NIA 862			3-1/16	23/32	2.626	2.790	2.706	2.870	.040
NIA 268			3-1/4	3/4	2.786	2.918	2.850	2.982	.030
NIA 208	2-1/2		3-1/8	1	2.656	2.926	2.720	2.990	.032
NIA 2046			3-11/32	3/4	2.915	3.041	2.975	3.103	.033
NIA 228			3-13/32	15/32	2.916	3.079	2.996	3.159	.045
NIA 269			3-3/8	1	2.910	3.174	2.980	3.244	.035
NIA 270			3-1/2	1	3.018	3.297	3.088	3.367	.035
NIA 200		3	3-5/8	3/4	3.250	3.382	3.320	3.452	.035
NIA 209	3		3-11/16	1-1/8	3.200	3.492	3.270	3.562	.035
NIA 338			3-7/8	3/4	3.406	3.542	3.466	3.602	.045
NIA 341			4	1	3.478	3.658	3.552	3.732	.040
NIA 339			4	3/4	3.596	3.722	3.676	3.802	.040
NIA 303		3-1/2	4-1/8	3/4	3.710	3.840	3.790	3.920	.040
NIA 340	3-1/2		4-3/8	3/4	3.848	3.994	3.928	4.074	.040
NIA 405			4-17/32	3/4	3.940	4.060	4.020	4.140	.040
NIA 406		4	4-15/16	15/16	4.134	4.379	4.214	4.459	.060
NIA 342	4		5	1	4.288	4.542	4.368	4.622	.045
NIA 343			5-1/4	7/8	4.568	4.782	4.638	4.852	.060
NIA 407			5-7/16	11/16	4.900	5.020	4.980	5.100	.060
NIA 344		5	5-7/8	7/8	5.217	5.385	5.326	5.494	.060
NIA 345	5		6-1/8	1	5.390	5.544	5.470	5.620	.040
NIA 346			6-1/4	1	5.606	5.784	5.696	5.874	.065
NIA 351			6-5/8	1	5.918	6.094	6.008	6.184	.045
NIA 352		6	6-15/16	7/8	6.329	6.500	6.398	6.564	.065
NIA 365	6		7-3/16	1-1/2	6.562	6.668	6.668	6.774	.065
NIA 366			7-5/8	1	6.961	7.038	7.048	7.124	.065
NIA 367			7-15/16	1	7.253	7.576	7.338	7.656	.065
NIA 368			8-1/8	1	7.574	7.762	7.658	7.846	.070
NIA 369			8-3/8	1	7.877	8.058	7.968	8.146	.070
NIA 370			9-1/8	1-1/2	8.558	8.622	8.668	8.736	.070
NIA 390			10-1/2	1	9.810	9.980	9.950	10.130	.070

Minimums available on request.

Orange Low Density Polyethylene.

Tolerances on all decimal dimensions are  $\pm .010$  per inch (example: 2.500  $\pm .010$  per inch = .025).  
Tolerances for fractional dimensions are  $\pm 1/32$ " per inch.

Heat distortion temperatures are as follows:  
Low Density Polyethylene: 100-121°F (66 P.S.I.)  
Medium Density Polyethylene: 120-165°F (66 P.S.I.)  
High Density Polyethylene: 140-180°F (66 P.S.I.)