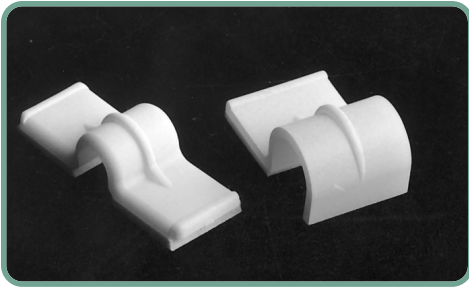


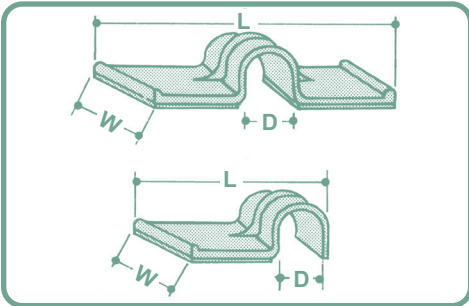
Adhesive Nylon Wire and Cable Clips



Backed with closed-cell, foamed polyurethane adhesive tape for excellent conformability, high temperature and solvent resistance, plus high ultimate bond strength. Mounting area should be

clean, dry and dust free. Some porous surfaces may need priming before installation.

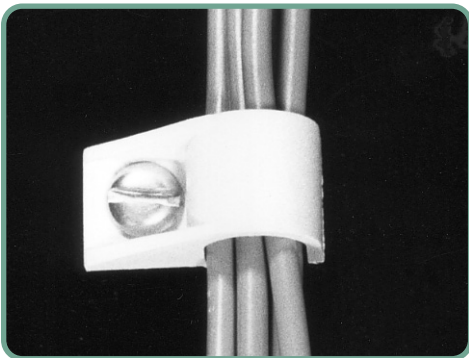
Supplied on easy-to-use, perforated liner strips in sets of 6 to 10 pieces.



Part No.	D	L	W
FA 125	1/8	.760	3/8
FA 250	1/4	1.380	1/2
FA 375	3/8	1.500	5/8
FA 500	1/2	1.600	3/4
HA 125	1/8	.493	3/8
HA 250	1/4	.865	1/2
HA 375	3/8	1.000	5/8
HA 500	1/2	1.125	3/4

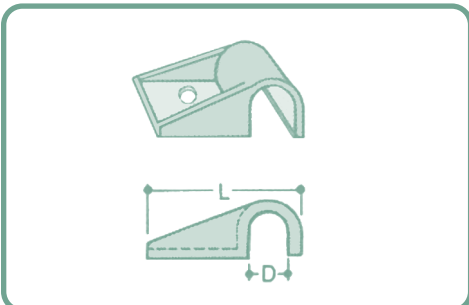
Minimum order 1000.

Heavy Duty Clips



For use with cable, tubing, rod, etc. These screw-mount clips are made of natural nylon and have reinforced sides which allow them to be used for heavier

than normal loads. Designed also as space savers, you can use them on edges or in tight spots. Use with a #10 screw.



Part No.	D	L
HSM 125	.115	.675
HSM 187	.172	.732
HSM 250	.234	.793
HSM 312	.297	.859
HSM 375	.359	.910
HSM 437	.422	.980
HSM 500	.484	1.044

Minimum order 1000.

Stocked in white. Also available in black.