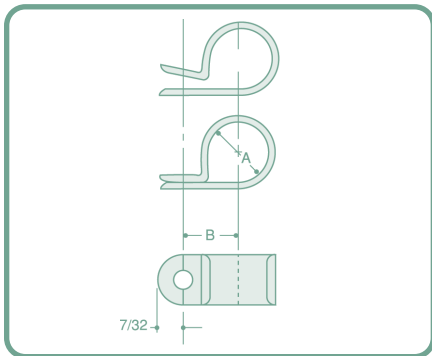


Nylon Cable Clamps



Cable clamps now also available in narrower (5/32" wide) format as well as wider (7/8") from 1/16" to 3/8" diameter.

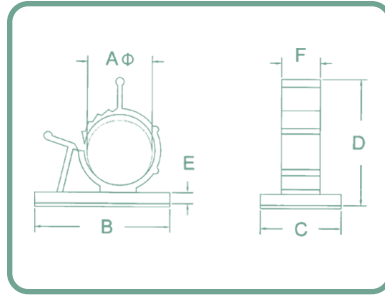
Part No.		Mounting Hole Dia.	A	B
Black	White			
Light Duty—3/8" wide, .050" thick				
3362	3312	.170	1/8	.343
3363	3313		3/16	.378
3364	3314		1/4	.421
3365	3315		5/16	.441
3366	3316		3/8	.464
3367	3317		7/16	.500
3368	3318		1/2	.530
3352	3302		.203	1/8
3353	3303	3/16		.378
3354	3304	1/4		.421
3355	3305	5/16		.441
3356	3306	3/8		.464
3357	3307	7/16		.500
3358	3308	1/2		.530
Heavy Duty—1/2" wide, .060" thick				
3372	3322	.203	1/8	.384
3373	3323		3/16	.410
3374	3324		1/4	.437
3375	3325		5/16	.474
3376	3326		3/8	.500
3377	3327		7/16	.533
3378	3328		1/2	.553
3379	3329		9/16	.603
3380	3330		5/8	.625
3381	3331	11/16	.665	
3382	3332	3/4	.699	
3383	3333	13/16	.765	
3384	3334	.203	7/8	.795
3390	3340		1	.825
3392	3342		1-1/8	.940
3393	3343		1-3/16	.963
3394	3344		1-1/4	.980
3396	3346	1-3/8	1.045	
3398	3348	1-1/2	1.114	



Recognized under the Component Program of Underwriters Laboratory File #E-54523

Conform to the following Mil spec: Mil Std 24E, Mil C-21565 (NAS), Mil P-17091-B

Adjustable Cable Clamps



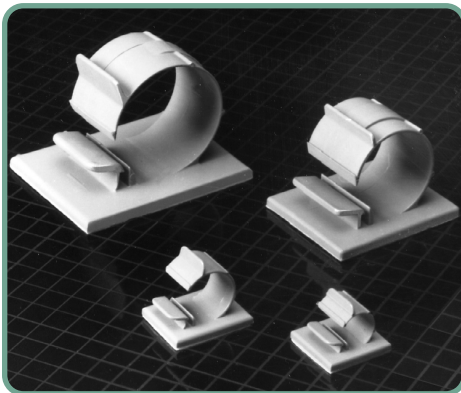
These UL approved black nylon adjustable cable clamps can accommodate various cables to save you money.

They are adhesive-backed and are easy to install, opening and closing for unlimited usage.

Part No.	A ID Range	B Length	C Width	D Height	E Base Thickness	F Clamp Width	Rated Static Load (lb.)
ACC 375	.311-.406	1.000	.752	.874	.063	.402	3/4
ACC 437	.394-.492	1.252	.752	1.094	.063	.402	1
ACC 562	.496-.606	1.461	.752	1.252	.118	.500	1
ACC 750	.650-.791	1.654	1.000	1.453	.118	.500	1-1/2
ACC 938	.827-.937	1.654	.850	1.689	.118	.445	1-3/8

Rated static loads apply for parts fastened to a flat, clean, dry surface and used within a temperature range of -30° to 65° C. We recommend clips be application-tested before being specified for production runs.

Nylon Adhesive C Clamps



Exceptionally high performance clips use an easy-to-install adhesive mounting system to speed assembly, improve product appearance and to simplify wire run installations in almost any location. Convenient tabs allow for easy access to wire.

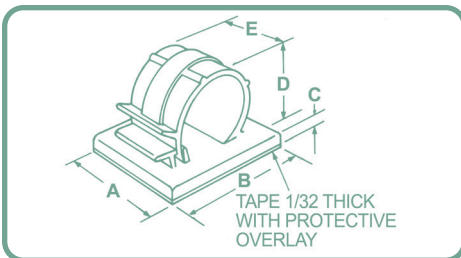
Recommended installation and storage temperatures are 15° to 27°C. Available in 94V-0 Polypropylene material for an additional charge. Add -V0 suffix to part number when ordering.

Part No	A	B	C	D	E	Max. Bundle Dia.	Rated Static Load (lb)
K21-0188	.740	.620	.080	.335	.390	3/16	1/2
021-0250	1.000	.870	.100	.420	.630	1/4	3/4
021-0375	1.000	1.000	.090	.500	.630	3/8	1
021-0500	1.000	1.210	.110	.680	.640	1/2	1-1/4
021-0750	1.150	1.450	.125	.990	.640	3/4	1-3/4
021-1000	1.980	2.240	.140	1.370	1.260	1	4
021-1500	2.420	2.950	.150	1.770	1.310	1-1/2	6

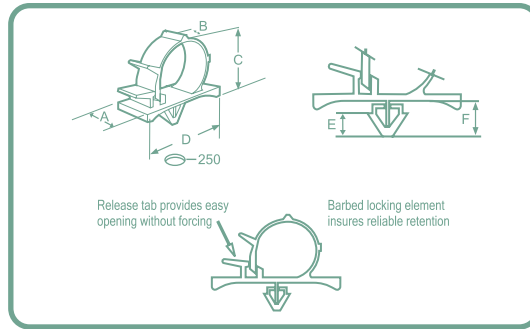
Colour: Gray (UL94V-2)

Rated static loads apply for parts fastened to a flat, clean, dry surface and used within a temperature range of -30° to 65° C. We recommend clips be application-tested before being specified for production runs.

Tolerance all dimensions: ± .030.



Push Mount Clamps



Can be used in a wide variety of environmental conditions and on any surface up to .080" thick. Just snap into a .250" hole and the push-mount will hold a 25 lb. continuous load and a 50 lb. impact load. Unique lock/release feature operates easily and locks securely.

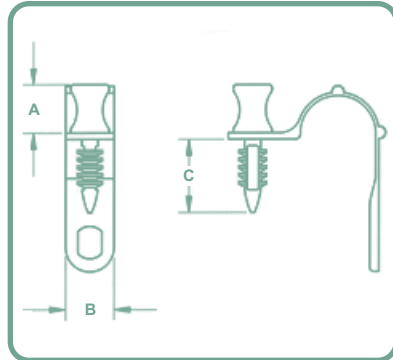
Available in 94V-0 polypropylene for an additional charge. Add-V0 suffix to part number when ordering.

For use with chassis and panels .020" to .080" thick.

Part No.	A	B	C	D	E	F	Max. Bundle Diameter
029-0188	.55	1.00	.39	.38	.20	.30	3/16
029-0250	.58	1.00	.44	.41	.20	.30	1/4
029-0375	.65	1.00	.53	.50	.20	.30	3/8
029-0500	.77	1.19	.72	.60	.20	.30	1/2
029-0750	.88	1.38	.97	.67	.20	.30	3/4
029-1000	1.37	1.88	1.30	1.00	.20	.30	1

*Need more solutions?
Check out Push-in Fasteners and Rivets
on pages 94–106
and our Wire Management section
on pages 202–208.*

Nylon Quick Cable Clamps

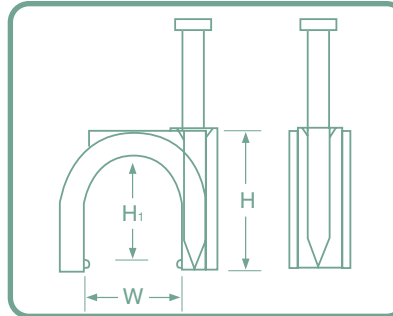
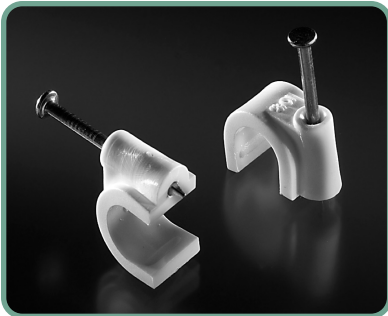


Moulded of nylon 6/6, these quick cable clamps are designed for one-handed installation. The design features an integrated ratchet fastener which eliminates the need for a screw or other fastener. They are self-aligning and the built-in handle allows for quick and easy installation without tools. Suitable for many different wire, cable or tubing routing applications. Perfect for field jobs.

Designed to fit a 3/16" diameter hole.

Part No.	Bundle Diameter	A Knob Length	B Width	C Clip Length
QCC 250	1/4	.375	.375	.528
QCC 312	5/16	.375	.375	.528
QCC 375	3/8	.375	.375	.528
QCC 437	7/16	.375	.375	.528

Nail-In Cable Clips



These nail-in cable clips are used to safely install cable TV, fibre optics, computer networks, telephone and other communication systems, hydraulic and pneumatic systems. They are moulded in tough, ultra-violet resistant, electrically insulating, high density polyethylene. The main stress areas of the clip have reinforcing ribs designed into the part to strengthen and absorb impact. The contact edges are radiused to protect damage to cable or tubing.

Pre-assembled with heat-treated, galvanized steel nails, ready for use in masonry, wood, stucco or plaster. Easily and efficiently installed.

Part No.	W	H	H1
NICC 40	.157	.260	.165
NICC 50	.100	.299	.209
NICC 70	.236	.354	.260
NICC 80	.315	.453	.339

Standard colour: Black or white (add suffix W when ordering).