



Threaded Posts & Screws CONTINUED

RATCHET ASSEMBLY



Ratchet assembly posts and screws feature screws with serrated pins, which allow for a variable and more secure assembly. Simply press together for fast connection. Parts ratchet together to automatically secure flat panels, punched papers, fabric swatches, key

cases, calendars, etc. Because they're made of polypropylene, they are useful for corrosive environments.

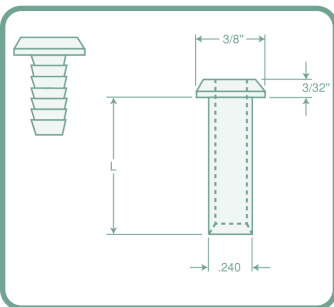
These are not for applications which require a reuseable fastener. Please see previous page for reuseable applications.

Part No.	Length
RPS 250 BL	1/4
RPS 250 WH	1/4
RPS 375 BL	3/8
RPS 375 WH	3/8
RPS 500 BL	1/2
RPS 500 WH	1/2
RPS 750 BL	3/4
RPS 750 WH	3/4

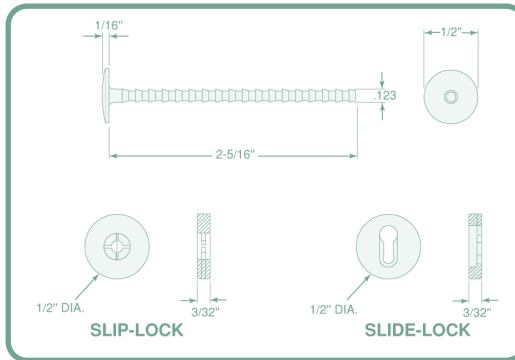
Minimum order 1000.

Standard colour: Black or white.

Also available in other colours (colour matching is possible).



Stack-Loks™



Stack-loks™ can be used to fasten and control computer sheets, catalogues, samples and many other objects. Use Slip-lock style for quick and easy assembly or Slide-lock for a more secure locking fastener. They come in either 2-5/16" or 4" in lengths and are available in natural nylon and white or black polypropylene.

Minimum order 1000.