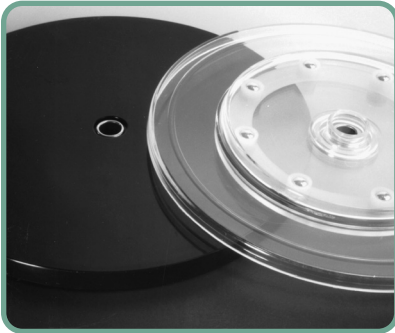




Plastic Turntables

UNLAZY SUSANS (well, they are hardworking...)



Our polystyrene turntables are attractive and colourful – the quietest free-running turntables available.

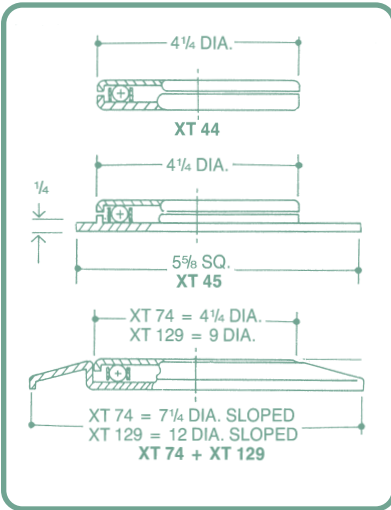
The turntable is your base. Easily cemented directly to plastic or wood displays, it eliminates sub- or full-base.

Part No.	Pcs./Case	Top Dia.	Base	Total Thickness
XT 44	200	4-1/4	4-1/4 dia.	9/16
XT 45	100	4-1/4	5-5/8 square	9/16
XT 65	100	5-1/2	5-5/8 square	9/16
XT 66	100	5-1/2	5-1/2 dia.	9/16
XT 69B	40	5-1/2	9 dia.	3/4
XT 74	60	4-1/4	7-1/4 dia. sloped	9/16
XT 99	50	9	9 dia.	9/16
XT 129	25	9	12 dia. sloped	3/4

Sold in case lots only. Minimum order 100 pieces.

Standard colours: Black, clear. Special order: Gray, brown, white, ivory.

Sizes may not be combined.



Nesting Containers



Content of containers not included.

These polystyrene nesting containers are ideal for sorting and storing small parts. They are useful in industrial applications and a variety of home and office projects. Their tapered design allows containers to be easily stacked for compact storage.

Dimensions are 6 3/4" x 6 3/4" x 3" deep. Available in natural, black or fluorescent pink.