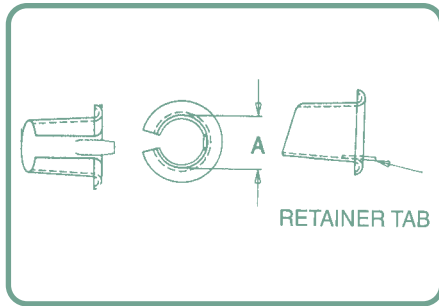
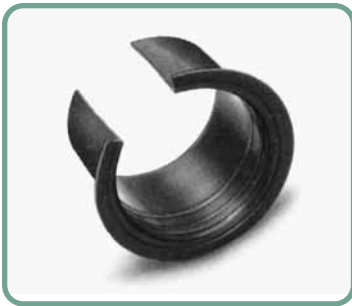




# Armour (Anti-Short) Bushings



Used at entrance to flexible metallic conduit or armoured cable. Insulates and protects electrical wires from being cut by rough conduit ends. Chamfered lead-in allows for fast installation. Also used in holes through which ropes and steel cables pass, to prevent chafing, cutting or scraping, where bushing space is very limited. Suitable for installation at temperatures as low as -40°F.

Part No.	Will Fit These Armoured Cables	Fits Cable ID	A Inside Dia.
AB0	14/2, 14/3, 12/2, 12/3	.29 -.33	.37
AB1	14/4, 6/1, 4/1,	.33 -.42	.44
AB2	12/4, 10/2, 10/3, 2/1	.43 -.57	.57
AB3	10/4, 8/2, 8/3, 1/1	.58 -.72	.73

Minimum order 1000.  
Standard colour: Red.

## BUSHING ASSORTMENT LABKIT



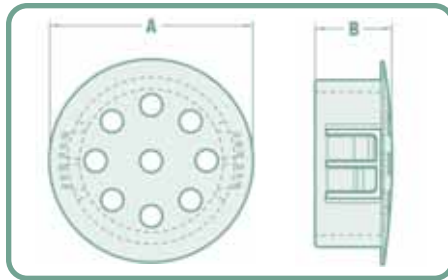
Our labkits are perfect for product design departments, experimental labs and for all prototype work.

**LABKIT 2** is an assortment of bushings with approximately the following quantities and part numbers. (Content may vary.)

25 each	SB250-2, B312-250, SB375-4, OCB375, SB437-5
20 each	SBT500-6, UBT500
15 each	OCB500, UB625
10 each	OCUB625, B875-750, SUB875
8 each	OCUB750, UB875
4 each	SBT1093-15, SB1000-12, SB1375-16
2 each	SB1750-22



# Vent Plugs



Permits the passage of air for heat dissipation and ventilation.

Convex, matte finish head tapers to a thin edge.

Locks firmly into chassis up to 1/4" thick.

Quick and easy installation with only fingertip pressure.

Part No.	Mounting Hole Diameter	A Head Diameter	B Overall Height	Maximum Chassis Thickness	No. of Holes
VP500	.500	.578	.406	.125	4
VP625	.625	.734	.406	.125	5
VP750	.750	.906	.406	.125	8
VP875	.875	1.015	.453	.125	9
VP1000	1.000	1.203	.453	.125	9
VP1093	1.093-1.125	1.218	.453	.125	9
VP1187	1.187	1.312	.453	.125	10
VP1250	1.250	1.375	.453	.125	10
SVP1250	1.250	1.375	.453	.125	4
VP1375	1.375	1.500	.453	.125	11
VP1500	1.500	1.671	.453	.125	13
VP1750	1.750	1.906	.453	.125	13
VP2000	2.000	2.140	.468	.125	19
VP2.5	2.500	2.718	.750	.250	19
VP3.0	3.000	3.171	.750	.250	26
VP3.5	3.500	3.656	.750	.250	38
VP4.0	4.000	4.156	.750	.250	48

Standard colour: Black. White and other colours available at premium charge if quantities are sufficient.

## PLUG ASSORTMENT LABKIT



Our labkits are perfect for product design departments, experimental labs and for all prototype work.

**LABKIT 3** is an assortment of plugs with approximately the following quantities and part numbers. (Content may vary.)

25 each	DP250, DP312, POP375, POP250, G437, G500, GPT500
15 each	GPT625, DPT625
10 each	DPT750, SP750, WP750
8 each	SP875
5 each	WP1000
4 each	VP1000, VPT1000, DP1250
3 each	DP1500



# Clamp Labkits

## CABLE CLAMP LABKIT



**LABKIT 5** is an assortment of cable clamps with approximately the following quantities and part numbers. (Content may vary.)

25 each	3352, 3304, 3305
20 each	3306, 3323
15 each	3307, 3374, 3325
12 each	3308, 3326
10 each	3328
8 each	3329, 3330
6 each	3382
3 each	3340, 3344
1 each	3377, 3348

## HOSE CLAMP LABKIT



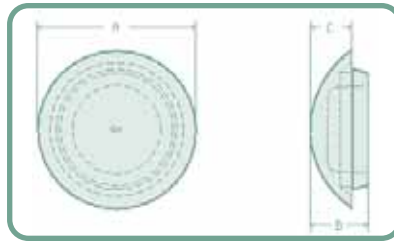
Our labkits are perfect for product design departments, experimental labs and for all prototype work.

**LABKIT 9** is an assortment of hose clamps with approximately the following quantities and part numbers. (Content may vary.)

15 each	HC344, HC750 GF
10 each	HC406, HC468 GF, HC531, HC593 HC875
8 each	HC953
6 each	HC672 GF
4 each	HC1031 GF
2 each	HC1250, HC1406



## Liquid Tight Knock-Out Seals



These liquid tight knock-out seals are made of Santoprene 251-80 and are oil and rain tight and fully submersible. They lock firmly into boxes up to .125" thick and install with fingertip pressure (no tools required).

Part No.	Trade Size	Mounting Hole Diameter	A Head Diameter	B Overall Height	Max. Chassis Thickness	C Head Thickness
KOS-LT1/2	1/2	.875	1.281	.500	.125	.359
KOS-LT3/4	3/4	1.093	1.531	.546	.125	.390
KOS-LT1	1	1.375	1.796	.562	.125	.421

Standard colour: **Black.**



## Liquid Tight Cordgrip Labkits



Our labkits are perfect for product design departments, experimental labs and for all prototype work.

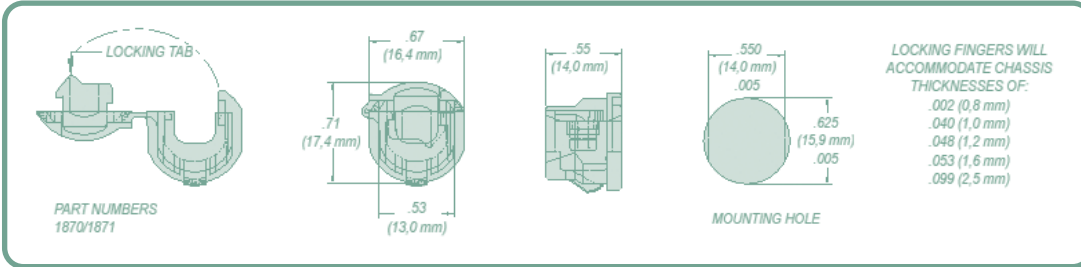
**LABKIT 78** is an assortment of liquid tight cordgrips with approximately the following quantities and part numbers. (Content may vary.)

6 each	M3207
4 each	M3211, M3228, M4330, M4337, M8564
	M8537, M4450, M4354, M4399
3 each	M3244
2 each	M3232



# Lockit Strain Relief Bushings

## RDD



RDD Round Wire Lockit and RDD Flat Wire Lockit are additions to our strain relief line.

Installs with fingertip pressure into an easily punched standard round or double "D" strain relief hole. Can be pre-assembled onto wire since chassis insertion isn't required to keep it locked on the wire.

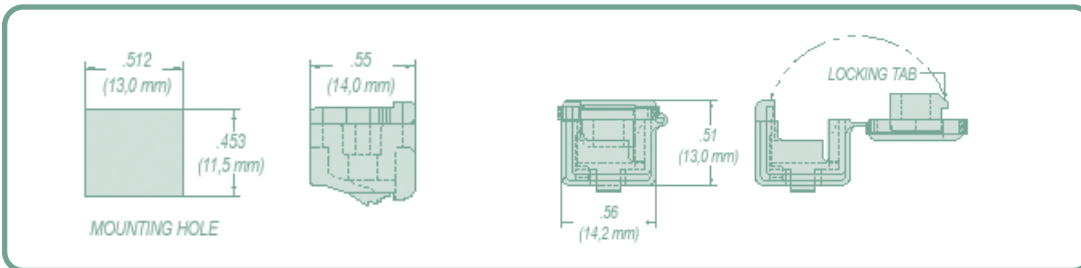
Multiple panel locking steps snug lockit strain relief into range

of panel thicknesses up to .187". UL recognized (far exceeds UL's 35 lb. pull-out test).

Moulded of UL and CSA approved nylon 6/6, these parts are available in black or white.

Automated application equipment (available separately) speeds assembly and lowers costs while reducing or eliminating repetitive manual assembly motions.

## LOCKIT



Assembly friendly! Independent of insertion into the panel, Lockit Strain Reliefs self-lock on the cable. They may be pre-assembled offline for final assembly at a later time or remote location for lower installed cost. Perfect for jobs in the field.

Lockits protect the lifeline of your electrical/electronic products by absorbing the forces of push and pull that may be exerted on the flexible power cord. Their rectangular design eliminates the

possibility of part rotation under forces of twist. They hold so well they pass the UL pull-out test requirements without panel support.

Three finger design securely anchors into panel as thin as .032" and as thick as .157" for a neat, clean appearance. Five locking steps accommodate a wide range of thicknesses.

Moulded of UL and CSA approved nylon 6/6, these parts are available in black or white.

## LOCKIT LABKITS



Our labkits are perfect for product design departments, experimental labs and for all prototype work.

**LABKIT 11** is an assortment of Lockit strain relief bushings with approximately the following quantities and part numbers. (Content may vary.)

- |        |   |
|--------|---|
| 8 each | RDD101-A, RDD101, RDD201-2, RDD201, RDD100A, RDD100, RDD200, RDD200-2, ST100N, ST200N, ST100L, ST101N, ST201N, ST301N |
| 6 each | RDD301-2, RDD301, RDD401, RDD501  |



# Straight-Thru Strain Relief Bushings

FOR ROUND CABLES *CONTINUED*

Part No.	A Mounting Hole Dia.	B To Prevent Rotation	Maximum Thickness	UL Wire Designation	AWG/ Conductors	Approximate Size	C Body Length
SR7N-2	.750	.660	.062	SJT	18/4	.360	.750
					14/3	.370	
				S & ST	18/2	.390	
					18/3	.405	
					16/2	.405	
					16/3	.430	
SR7P-2	Same as SR7N-2 except		.125			.750	
SR7W-2	.875	.770	.125	SJT	14/3	.370	.750
					12/3	.425	
				S & ST	18/2	.390	
					18/3	.405	
					16/2	.405	
					16/3	.430	
SR7L-2	Same as SR7W-2 except		.200			.750	
SR31-2	.875	.840	.125	SJT	12/3	.425 -.475	.812
SR8N-2	.875	.840	.062	S & ST	14/2	.530	.828
					14/3	.560	
					12/2	.600	
SR8P-2	Same as SR8N-2 except		.125				.812
SR8L-2	Same as SR8N-2 except		.187				
SR9P-2	1.093	1.000	.281	S	12/2	.600	1.000
					12/3	.635	
					10/2	.640	
					S, ST & SO	10/3	

Standard colours: Black. White and other colours available at premium charge if quantities are sufficient.

## STRAIN RELIEF LABKITS



Our labkits are perfect for product design departments, experimental labs and for all prototype work.

**LABKIT 1** is an assortment of strain reliefs with approximately the following quantities and part numbers. (Content may vary.)

20 each	SR3P-4
15 each	SR4N-4, SR5P-4, SR6W-1, SR6N3-4
10 each	SR5K-4, SR4K-6, SR14-1, SR8R-200
8 each	SR4N-5, SR5N-5
6 each	SR7P-2, SR11-2
5 each	SR30-1, SR5N-7
4 each	SR8P-2, SR4N-7
1 each	SR9P-2