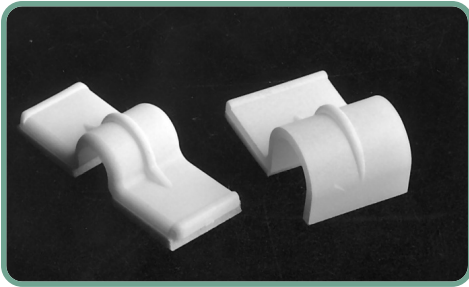


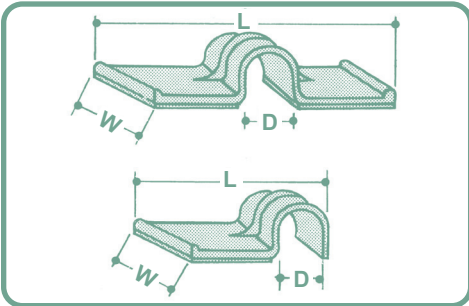
Adhesive Nylon Wire and Cable Clips



Backed with closed-cell, foamed polyurethane adhesive tape for excellent conformability, high temperature and solvent resistance, plus high ultimate bond strength. Mounting area should be

clean, dry and dust free. Some porous surfaces may need priming before installation.

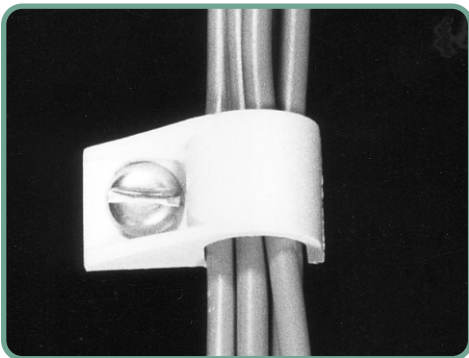
Supplied on easy-to-use, perforated liner strips in sets of 6 to 10 pieces.



Part No.	D	L	W
FA 125	1/8	.760	3/8
FA 250	1/4	1.380	1/2
FA 375	3/8	1.500	5/8
FA 500	1/2	1.600	3/4
HA 125	1/8	.493	3/8
HA 250	1/4	.865	1/2
HA 375	3/8	1.000	5/8
HA 500	1/2	1.125	3/4

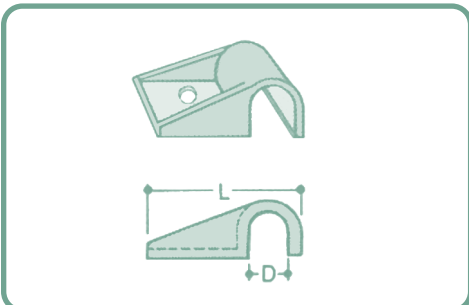
Minimum order 1000.

Heavy Duty Clips



For use with cable, tubing, rod, etc. These screw-mount clips are made of natural nylon and have reinforced sides which allow them to be used for heavier

than normal loads. Designed also as space savers, you can use them on edges or in tight spots. Use with a #10 screw.



Part No.	D	L
HSM 125	.115	.675
HSM 187	.172	.732
HSM 250	.234	.793
HSM 312	.297	.859
HSM 375	.359	.910
HSM 437	.422	.980
HSM 500	.484	1.044

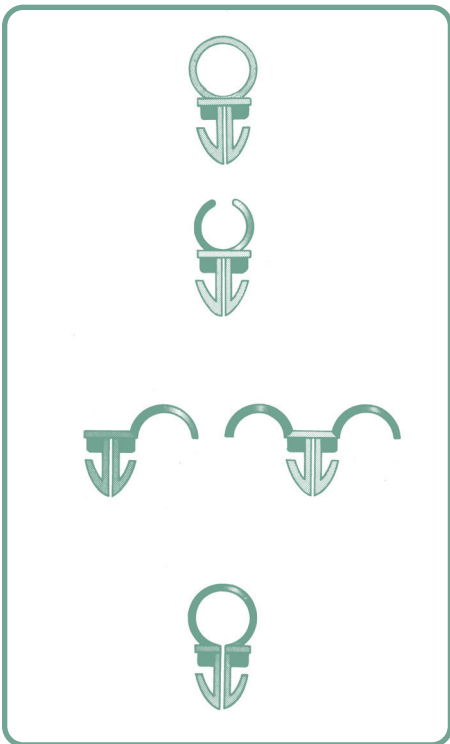
Minimum order 1000.

Stocked in white. Also available in black.

Black Nylon Clips



Use as tube and wire supports, guides, bundlers. All devices snap through 1/4" diameter hole in 1/32" to 1/8" thick material. Maximum side width of all clips is 3/8".

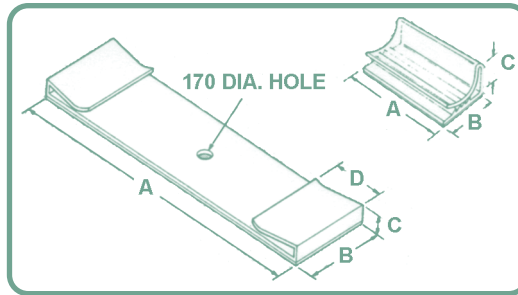


Part No.	Tube OD	Height Above Panel
Closed top—feed-through guide		
ET 8	1/2	5/8
Open top—single tube		
OT 2	1/8	7/32
OT 4	1/4	11/32
OT 5	5/16	13/32
OT 6	3/8	15/32
OT 8	1/2	5/8
Space saver side clip		
SS 4	1/4	3/16
DS 4	1/4 + 1/4	3/16
Closed top (wrap around)—single tube or bundles		
CT 4	1/4	7/16
CT 6	3/8	15/32
CT 8	1/2	5/8
CT 9	9/16	23/32
CT 10	5/8	3/4
CT 12	3/4	7/8
CT 16	1	1-5/32
CT 20	1-1/4	1-13/32

Minimum order 100.



Flat Clamps



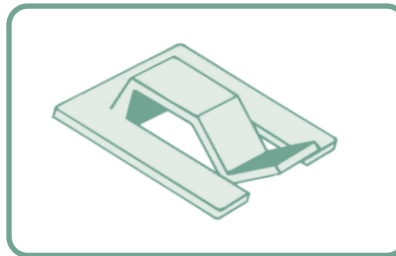
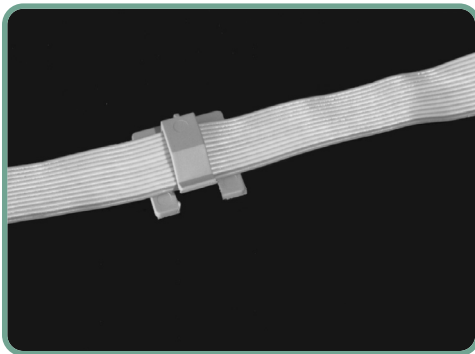
Moulded of PVC, these clips efficiently organize and retain ribbon, flat wire and flat cable. Part 031-0120 features both adhesive-backed mounting or screw mounting using #6 flat head screw.

They are available in either clear or gray. Please specify when ordering.

Part No.	A Length	B Width	C Height	D Clip Size	Suggested Number of Conductors
031-0100	1.000	1.000	.360	--	20 or more
031-0105	.787	.984	.394	--	1 to 20
031-0110	1.000	.570	.360	--	1 to 20
031-0115	1.100	.984	.394	--	20 or more
031-0120	3.340	1.000	.225	.760	60



Adhesive Flat Wire Nylon Clips

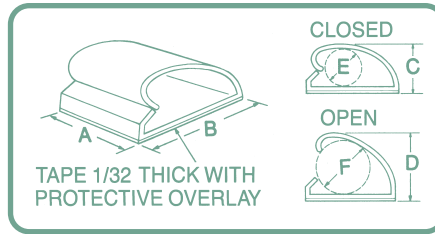
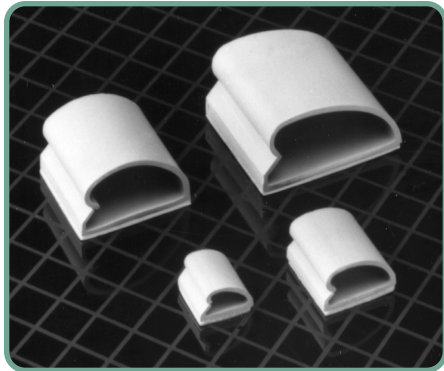


This versatile clip is suitable for both flat and round objects. Useful in displays, for holding light packages, papers, tickets, etc. Adhesive clip can hold 1/2 lb. weights.

Part No.	Base Size
NCA	1 X 1

Minimum order 100.

PVC Low Profile Adhesive Clips



Self-closing Series 025 offers a fast, convenient, low cost method of routing and retaining wires and cables without the time and expense of drilling holes. Expandable clips hold different size wires with ease.

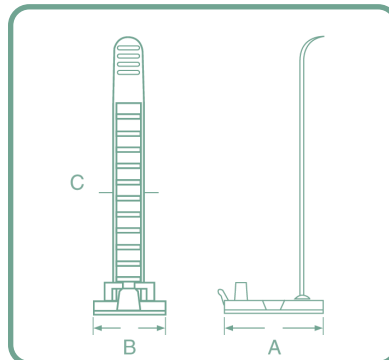
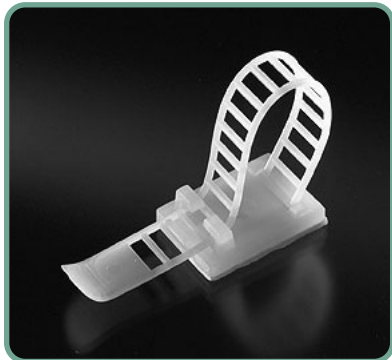
Part No.	A	B	C	D	Max. Bundle Diameter		Static Load (lb.)
					E	F	
025-0250	.510	.500	.280	.340	1/8	1/4	1/8
025-0500	.760	.760	.400	.660	1/4	1/2	1/4
025-0750	1.000	1.140	.560	.870	1/2	3/4	1/2
025-1000	1.250	1.500	.740	1.200	3/4	1	7/8

Colour: Gray (UL-94V-2).

Rated static loads apply for parts fastened to a flat, clean, dry surface and used within a temperature range of -30° to 65° C. We recommend clips be application-tested before being specified for production runs.

Tolerance all dimensions: $\pm .030$.

Nylon Ladder Cable Clamps



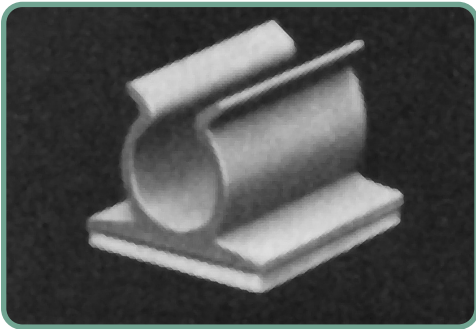
These releasable, reusable and adjustable clamps are perfect for easy securing and bundling of wires and cables.

They offer flexibility and strength with high resistance to temperature and chemicals.

Adhesive-backed, will adhere to most clean, dry surfaces. Optional screw hole is provided.

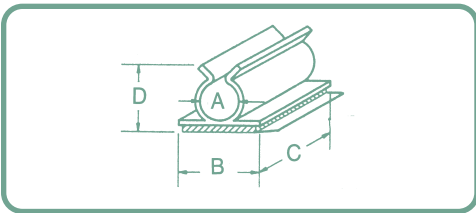
Part No.	A	B	C	Maximum Bundle Diameter
LCC 625	.984	.709	.311	.669
LCC 812	1.200	.827	.472	.866
LCC 1000	1.200	.827	.472	1.024

PVC Adhesive Clips



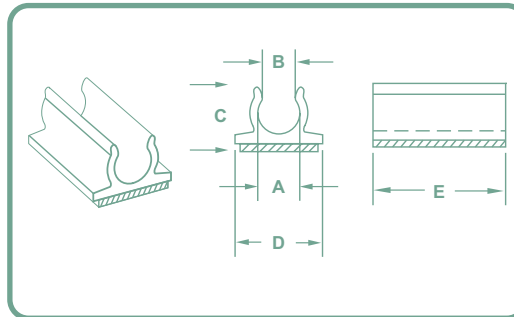
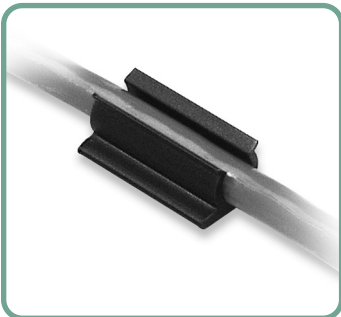
Part No.	Min. Qty.	A	B	C	D
KKU 2	500	1/8	3/4	3/4	9/32
KKU 4	500	1/4	3/4	3/4	15/32
KKU 6-4	500	3/8	3/4	3/4	19/32
KKU 8	100	1/2	1	1	11/16
KKU 9	100	9/16	1	1	3/4
KKU 12	100	3/4	1	1	29/32

Standard colour: Gray.
Also available in clear PVC by special order.



Check out our other clips and clamps on pages 40-55.

PVC Antenna Clips



Convenient and economical way of routing any .25" diameter cable or tubing. Its compact design along with a strong acrylic adhesive backing (to allow for higher temperature applications) combine to make this clip especially suitable for mobile phone installations.

Available in black.

Part No.	A	B	C	D	E
062-0030	.19	.15	.27	.42	.63