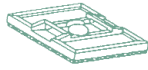




Mounting Platforms



MP4AS



MP 2A
MP2S



MP4A
MP4S



MPPM250



MPS68
MPS10



MPLPM

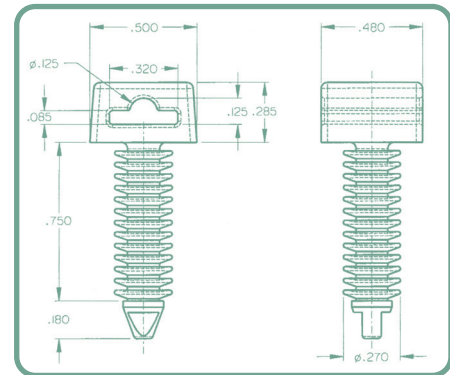
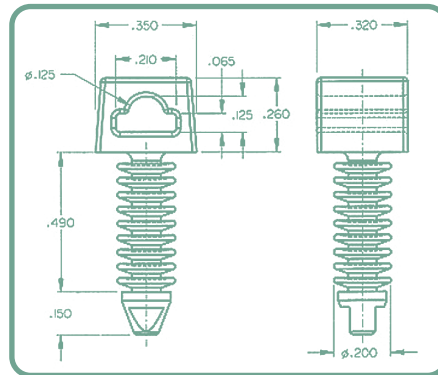
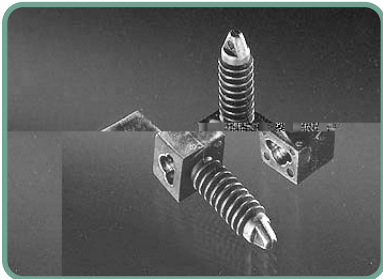
Part No.	Mounting Style	Screw Size	Base Size
MP4A-S	adhesive	—	51/64 sq.
MP2A	adhesive (w/opt. screw mt.)	(6)	1-7/64 sq.
MP2S	screw	6	1-7/64 sq.
MP4A	adhesive (w/opt. screw mt.)	(6)	1-9/64 sq.
MP4S	screw	6	1-9/64 sq.
MPPM250*	push mount	—	3/8 x 5/8 head
MPS68	screw	6-8	25/64 x 39/64
MPS10	screw	10	5/8 x 7/8
MPLPM	screw	8	31/64 x 47/64

Minimum order 500.

Colour: Stocked in natural white. Black available at an additional charge.

* mounts into .250 diameter hole.

RIBBED PUSH MOUNT PLATFORM



Moulded in black UV-stabilized high-density polyethylene, these push mounts are available in 2 sizes for 3/16" and 1/4" diameter holes. The special head configuration allows for use with beaded ties, as well as conventional cable ties. They are suitable for use in pre-drilled holes in wood, masonry and a variety of other materials.