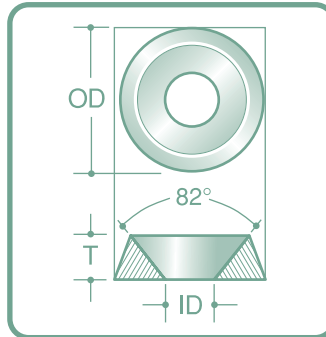
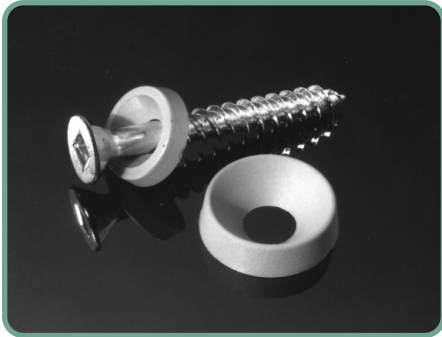


Nylon Finishing Washers



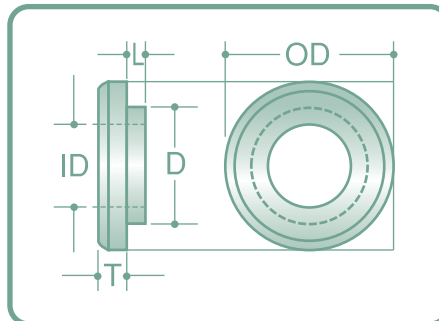
These washers protect cabinets from scratching, cover misaligned holes, etc. May also be used as glides, bumpers, feet and spacers.

Part No.	ID	OD	T
SFW 6	.143	.437	.100
SFW 8	.171	.515	.115
SFW 10	.191	.580	.152
SFW 25	.251	.683	.183

Minimum order 1000.

Nylon Shoulder Washers

STANDARD



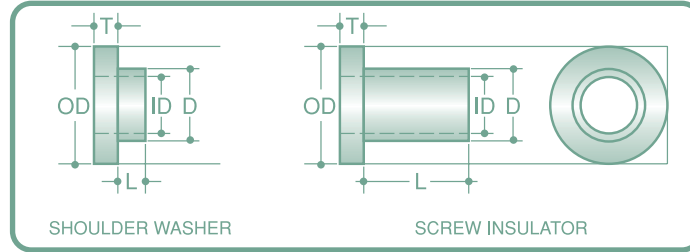
Part No.	ID	OD	T	D	L
SW 2	.093	.250	.040	.156	.040
SW 4	.122	.281	.040	.187	.040
SW 6	.146	.328	.040	.218	.040
SW 8	.174	.375	.050	.250	.050
SW 10	.201	.437	.050	.281	.050
SW 1/4	.260	.562	.060	.375	.060
SW 3/8	.385	.750	.060	.500	.060

Minimum order 1000.



Nylon Shoulder Washers/Screw Insulators

SPECIAL Tolerances all dimensions: $\pm .015$



Suitable for a variety of insulation and mechanical applications. They seal, reduce vibration, act as spacers, guides, bushings and bearings. Isolate metal screws electrically and reduce corrosion. They can also be used as light load

bearings in many applications.

Shoulder washers are shown with the prefix **NSW**. Screw insulators are for standard screw sizes (#2 up to 1/4) and are shown with the prefix **SC**. Shoulder washers can often be interchanged with

screw insulators, but they tend to have a shorter shank (L dimension).

Custom sizes can be tooled for moulding. Please specify size, quantity and tolerances when requesting a quote.

Part No.	ID	D	OD	T	L
SC 2X.125	.090	.120	.181	.046	.125
SC 2X.187	.090	.120	.181	.046	.187
SC 2X.250	.090	.120	.181	.046	.250
SC 2X.375	.090	.120	.181	.046	.375
NSW 1F	.093	.120	.195	.031	.062
NSW 3F	.093	.125	.205	.031	.078
NSW 5F	.102	.169	.250	.031	.062
NSW 12X	.115	.135	.218	.047	.031
NSW 13F	.115	.143	.250	.031	.062
SC 4X.031	.115	.145	.235	.046	.031
SC 4X.046	.115	.145	.235	.046	.046
SC 4X.062	.115	.145	.235	.046	.062
SC 4X.093	.115	.145	.235	.046	.093
SC 4X.125	.115	.145	.235	.046	.125
SC 4X.156	.115	.145	.235	.046	.156
SC 4X.187	.115	.145	.235	.046	.187
SC 4X.250	.115	.145	.235	.046	.250
SC 4X.375	.115	.145	.235	.046	.375
SC 4X.500	.115	.145	.235	.046	.500
NSW 15F	.115	.187	.312	.062	.015
NSW 17F	.116	.185	.250	.062	.047
NSW 28	.117	.135	.220	.040	.032
NSW 29F	.120	.145	.202	.015	.047
NSW 31F	.120	.145	.210	.015	.047
NSW 37F	.122	.142	.230	.016	.047
NSW 40	.122	.142	.230	.041	.023
NSW 41N	.122	.157	.244	.039	.079
NSW 48	.126	.157	.265	.031	.031
NSW 54N	.129	.190	.315	.050	.330
NSW 57F	.135	.250	.438	.031	.141

Minimum order 1000.

Continued



Nylon Shoulder Washers/Screw Insulators

SPECIAL CONTINUED

Tolerances all dimensions: $\pm .015$

Part No.	ID	D	OD	T	L
NSW 57G	.136	.248	.375	.062	.093
SC 6X.062	.140	.170	.290	.046	.062
SC 6X.093	.140	.170	.290	.046	.093
SC 6X.125	.140	.170	.290	.046	.125
SC 6X.156	.140	.170	.290	.046	.156
SC 6X.187	.140	.170	.290	.046	.187
SC 6X.250	.140	.170	.290	.046	.250
SC 6X.375	.140	.170	.290	.046	.375
SC 6X.500	.140	.170	.290	.046	.500
NSW 58	.140	.178	.312	.048	.050
NSW 59F	.140	.185	.312	.031	.031
NSW 62	.140	.185	.312	.062	.027
NSW 65F	.140	.187	.250	.062	.031
NSW 72X	.140	.248	.349	.047	.062
NSW 73F	.140	.250	.375	.093	.062
NSW 75F	.141	.187	.312	.062	.031
NSW 77F	.144	.234	.312	.047	.125
NSW 77G	.145	.240	.385	.062	.031
NSW 79	.150	.250	.355	.040	.090
NSW 80	.156	.250	.500	.094	.031
NSW 80N	.159	.194	.393	.047	.062
NSW 83N	.161	.236	.323	.059	.118
NSW 84N	.161	.236	.232	.059	.157
NSW 86	.167	.246	.375	.062	.031
NSW 87F	.167	.250	.500	.125	.437
NSW 89F	.171	.250	.510	.062	.406
NSW 90	.172	.312	.500	.078	.140
SC 8X.125	.173	.205	.344	.062	.125
SC 8X.140	.173	.205	.344	.062	.140
SC 8X.250	.173	.205	.344	.062	.250
SC 8X.375	.173	.205	.344	.062	.375
SC 8X.500	.173	.205	.344	.062	.500
SC 8X.625	.173	.205	.344	.062	.625
SC 8X.750	.173	.205	.344	.062	.750
NSW 91F	.187	.245	.375	.031	.141
NSW 93N	.189	.250	.500	.062	.249
NSW 99	.194	.240	.437	.062	.031
NSW 105	.195	.303	.440	.040	.141
NSW 106	.196	.254	.380	.125	.065
NSW 107	.196	.277	.500	.125	.187
NSW 107V	.196	.300	.581	.120	.158

Minimum order 1000.

Continued



Nylon Shoulder Washers/Screw Insulators

SPECIAL CONTINUED

Tolerances all dimensions: $\pm .015$

Part No.	ID	D	OD	T	L
NSW 108	.197	.240	.408	.062	.187
NSW 108X	.197	.250	.375	.062	.213
SC 10X.187	.200	.260	.399	.062	.187
SC 10X.250	.200	.260	.399	.062	.250
SC 10X.375	.200	.260	.399	.062	.375
SC 10X.500	.200	.260	.399	.062	.500
SC 10X.562	.200	.260	.399	.062	.562
SC 10X.625	.200	.260	.399	.062	.625
SC 10X.750	.200	.260	.399	.062	.750
NSW 109F	.201	.281	.437	.047	.047
NSW 112F	.205	.312	.620	.047	.047
NSW 113F	.240	.315	.480	.079	.315
NSW 113G	.250	.310	.425	.062	.062
NSW 113V	.250	.370	.600	.125	.125
NSW 113X	.250	.500	.750	.125	.062
NSW 115N	.252	.312	.500	.062	.031
NSW 116	.252	.343	.625	.062	.125
NSW 119	.253	.440	.938	.125	.170
NSW 120	.253	.341	.750	.031	.050
NSW 121F	.255	.312	.467	.047	.125
NSW 121A	.255	.322	.625	.062	.187
NSW 121B	.255	.365	.500	.031	.188
NSW 121	.255	.372	.550	.062	.422
NSW 121C	.256	.341	.750	.150	.101
NSW 122	.256	.355	.437	.060	.109
NSW 124	.257	.375	.500	.125	.170
NSW 125	.257	.422	.570	.135	.100
NSW 125F	.258	.312	.515	.062	.141
SC 250X.125	.260	.312	.513	.062	.125
SC 250X.187	.260	.312	.513	.062	.187
SC 250X.250	.260	.312	.513	.062	.250
SC 250X.375	.260	.312	.513	.062	.375
SC 250X.500	.260	.312	.513	.062	.500
SC 250X.625	.260	.312	.513	.062	.625
SC 250X.750	.260	.312	.513	.062	.750
NSW 126F	.260	.375	.562	.093	.062
NSW 127	.265	.425	1.000	.060	.075
NSW 127F	.266	.380	.750	.093	.218
NSW 128N	.275	.375	.546	.063	1.000
NSW 129	.281	.500	.750	.093	.094

Minimum order 1000.

Continued



Nylon Shoulder Washers/Screw Insulators

SPECIAL CONTINUED

Tolerances all dimensions: $\pm .015$

Part No.	ID	D	OD	T	L
NSW 130N	.308	.350	.428	.125	.047
NSW 133	.316	.502	.620	.060	.150
NSW 133N	.319	.394	.559	.098	.315
SC 312X.125	.320	.360	.620	.060	.125
SC 312X.250	.320	.360	.620	.060	.250
SC 312X.375	.320	.360	.620	.060	.375
SC 312X.500	.320	.360	.620	.060	.500
SC 312X.625	.320	.360	.620	.060	.625
NSW 134	.320	.405	.625	.066	.139
NSW 134F	.328	.437	.693	.062	.125
NSW 134N	.358	.482	.748	.059	.118
NSW 135F	.375	.500	.750	.062	.125
NSW 140	.375	.500	.750	.125	.195
NSW 142	.375	.500	.750	.125	.031
NSW 150	.375	.500	1.000	.125	.195
NSW 152A	.378	.505	.750	.078	.245
NSW 156N	.380	.440	.563	.030	.220
NSW 157	.383	.505	.750	.125	.360
NSW 165	.390	.520	1.000	.120	.400
NSW 165V	.390	.520	1.000	.120	.700
NSW 168N	.445	.500	.875	.100	.500
NSW 170	.500	.563	.787	.059	.413
NSW 170N	.503	.625	.750	.066	.174
NSW 171F	.508	.543	.688	.031	.047
NSW 173F	.515	.740	1.125	.062	.093
NSW 174	.520	.660	1.250	.120	.760
NSW 250N	.750	.875	1.125	.062	.313
NSW 280N	.875	.935	1.120	.132	.219

Minimum order 1000.