



Wire and Cable Holders

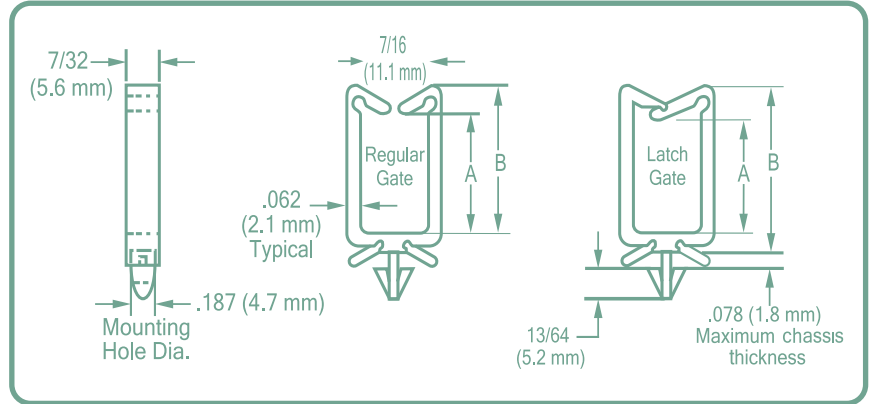
For low cost wire management. The push-mount style comes in vertical orientation for top entry and narrow width, and horizontal orientation for side entry and low height (good when clearance is a

problem). Both are available with either a regular gate or a latch gate closure. Install with fingertip pressure into a 3/16" diameter mounting hole. The bayonet mount self-adjusts to various chassis

thicknesses up to .090". These are stocked in white nylon but are also available in black.

Please specify colour at time of order.

VERTICAL ORIENTATION—TOP ENTRY



Part No.	A	B	C
Regular Gate			
CHR12	11/64	11/32	31/64
CHR18	25/64	37/64	23/32
CHR27	3/4	15/16	1-1/16
CHR35	1-1/16	1-1/4	1-3/8
Latch Gate			
CHL12	9/64	11/32	31/64
CHL18	23/64	37/64	23/32
CHL27	23/32	15/16	1-1/16
CHL35	1-1/32	1-1/4	1-3/8

Minimum order 1000.

SHORTY PUSH-MOUNT WIRE HOLDERS

Part No.	Mounting Hole Diameter	Base Dimensions	Wire Capacity	Overall Height
CHRS0	.08	.08x.27	.17x.12	.23
CHRS1	.12	.17x.36	.25x.16	.29
CHRS2	.14	.17x.36	.25x.16	.29
CHRS3	.14	.17x.48	.37x.25	.45

Minimum order 1000.