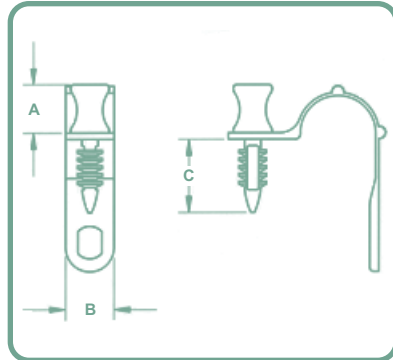
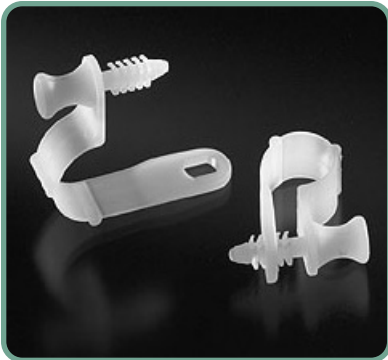




## Nylon Quick Cable Clamps



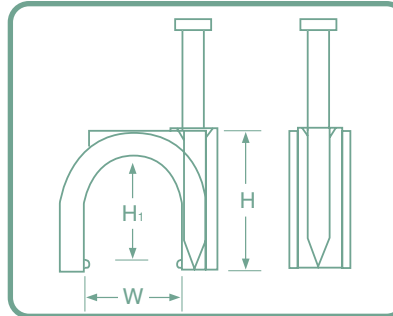
Moulded of nylon 6/6, these quick cable clamps are designed for one-handed installation. The design features an integrated ratchet fastener which eliminates the need for a screw or other fastener. They are self-aligning and the built-in handle allows for quick and easy installation without tools. Suitable for many different wire, cable or tubing routing applications. Perfect for field jobs.

Designed to fit a 3/16" diameter hole.

Part No.	Bundle Diameter	A Knob Length	B Width	C Clip Length
QCC 250	1/4	.375	.375	.528
QCC 312	5/16	.375	.375	.528
QCC 375	3/8	.375	.375	.528
QCC 437	7/16	.375	.375	.528



## Nail-In Cable Clips



These nail-in cable clips are used to safely install cable TV, fibre optics, computer networks, telephone and other communication systems, hydraulic and pneumatic systems. They are moulded in tough, ultra-violet resistant, electrically insulating, high density polyethylene. The main stress areas of the clip have reinforcing ribs designed into the part to strengthen and absorb impact. The contact edges are radiused to protect damage to cable or tubing.

Pre-assembled with heat-treated, galvanized steel nails, ready for use in masonry, wood, stucco or plaster. Easily and efficiently installed.

Part No.	W	H	H1
NICC 40	.157	.260	.165
NICC 50	.100	.299	.209
NICC 70	.236	.354	.260
NICC 80	.315	.453	.339

Standard colour: Black or white (add suffix W when ordering).