

# WIRE MANAGEMENT





# Wire and Cable Holders

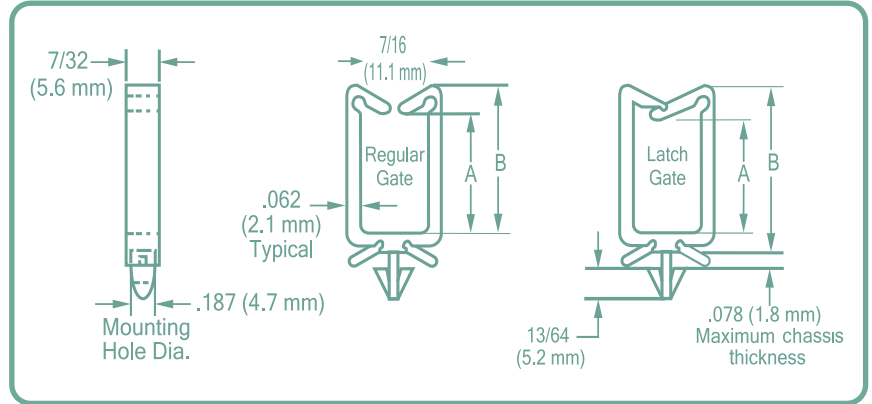
For low cost wire management. The push-mount style comes in vertical orientation for top entry and narrow width, and horizontal orientation for side entry and low height (good when clearance is a

problem). Both are available with either a regular gate or a latch gate closure. Install with fingertip pressure into a 3/16" diameter mounting hole. The bayonet mount self-adjusts to various chassis

thicknesses up to .090". These are stocked in white nylon but are also available in black.

**Please specify colour at time of order.**

## VERTICAL ORIENTATION-TOP ENTRY



Part No.	A	B	C
<b>Regular Gate</b>			
CHR12	11/64	11/32	31/64
CHR18	25/64	37/64	23/32
CHR27	3/4	15/16	1-1/16
CHR35	1-1/16	1-1/4	1-3/8
<b>Latch Gate</b>			
CHL12	9/64	11/32	31/64
CHL18	23/64	37/64	23/32
CHL27	23/32	15/16	1-1/16
CHL35	1-1/32	1-1/4	1-3/8

Minimum order 1000.

## SHORTY PUSH-MOUNT WIRE HOLDERS

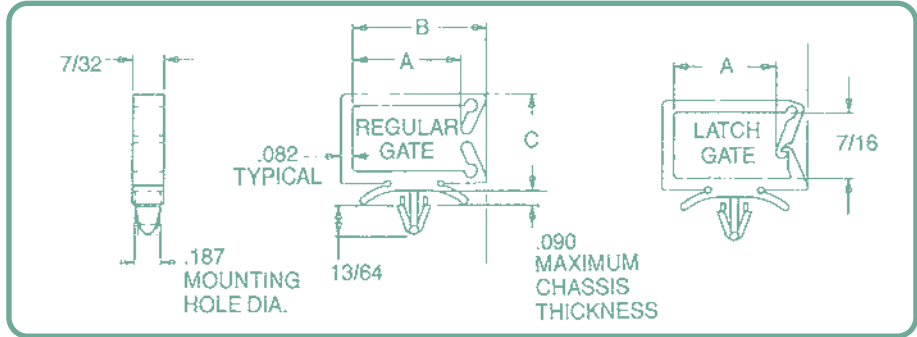
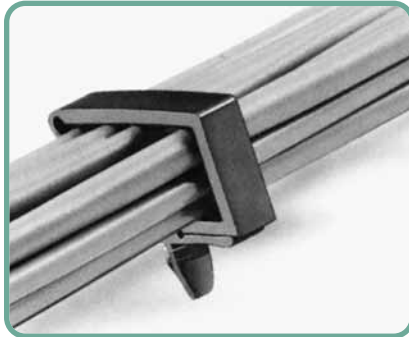
Part No.	Mounting Hole Diameter	Base Dimensions	Wire Capacity	Overall Height
CHRS0	.08	.08x.27	.17x.12	.23
CHRS1	.12	.17x.36	.25x.16	.29
CHRS2	.14	.17x.36	.25x.16	.29
CHRS3	.14	.17x.48	.37x.25	.45

Minimum order 1000.



# Wire and Cable Holders CONTINUED

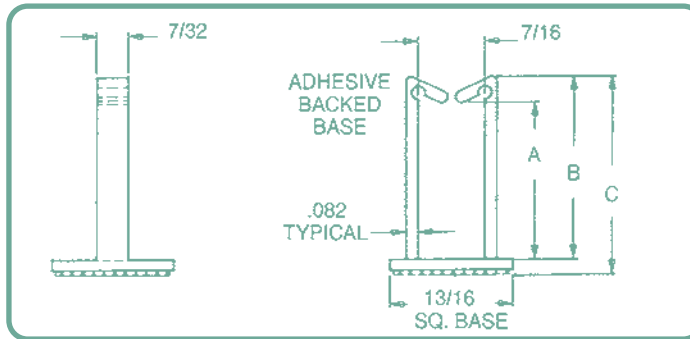
## HORIZONTAL ORIENTATION—SIDE ENTRY



Part No.	A	B	C
<b>Regular Gate</b>			
CHR27-90	3/4	59/64	21/32
CHR35-90	1-1/16	1-1/4	21/32
<b>Latch Gate</b>			
CHL27-90	23/32	59/64	21/32
CHL35-90	1-1/32	1-1/4	21/32

Minimum order 1000.

## SHORTY ADHESIVE-BACKED WIRE HOLDERS

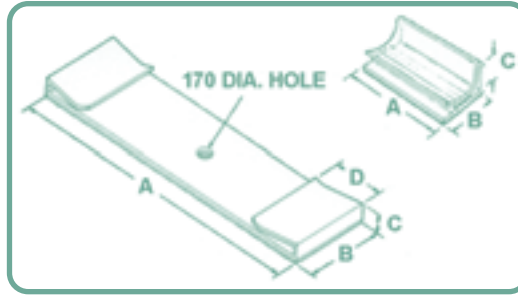


Part No.	A	B	C
CHRA12	11/64	3/8	1/2
CHRA18	7/16	5/8	23/32
CHRA27	25/32	61/64	1-3/32

Minimum order 300.



## Flat Clamps



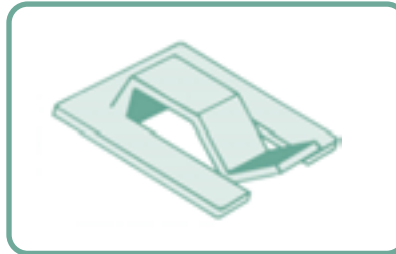
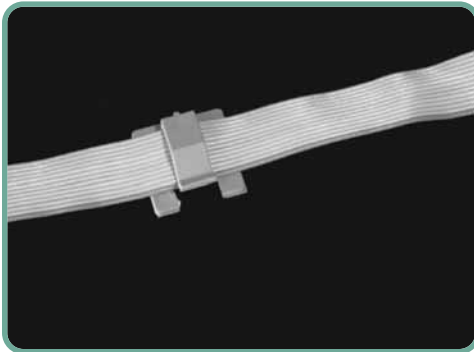
Moulded of PVC, these clips efficiently organize and retain ribbon, flat wire and flat cable. Part 031-0120 features both adhesive-backed mounting or screw mounting using #6 flat head screw.

They are available in either clear or gray. Please specify when ordering.

Part No.	A Length	B Width	C Height	D Clip Size	Suggested Number of Conductors
031-0100	1.000	1.000	.360	--	20 or more
031-0105	.787	.984	.394	--	1 to 20
031-0110	1.000	.570	.360	--	1 to 20
031-0115	1.100	.984	.394	--	20 or more
031-0120	3.340	1.000	.225	.760	60



## Adhesive Flat Wire Nylon Clips

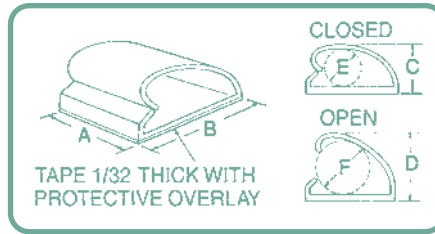


This versatile clip is suitable for both flat and round objects. Useful in displays, for holding light packages, papers, tickets, etc. Adhesive clip can hold 1/2 lb. weights.

Part No.	Base Size
NCA	1 X 1

Minimum order 100.

## PVC Low Profile Adhesive Clips



Self-closing Series 025 offers a fast, convenient, low cost method of routing and retaining wires and cables without the time and expense of drilling holes. Expandable clips hold different size wires with ease.

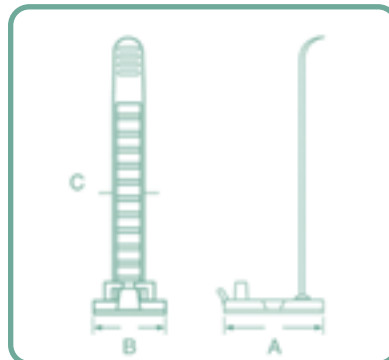
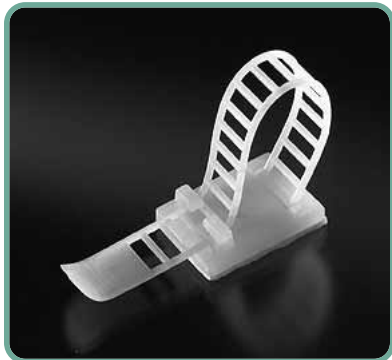
Part No.	A	B	C	D	Max. Bundle Diameter		Static Load (lb.)
					E	F	
<b>025-0250</b>	.510	.500	.280	.340	1/8	1/4	1/8
<b>025-0500</b>	.760	.760	.400	.660	1/4	1/2	1/4
<b>025-0750</b>	1.000	1.140	.560	.870	1/2	3/4	1/2
<b>025-1000</b>	1.250	1.500	.740	1.200	3/4	1	7/8

Colour: Gray (UL-94V-2).

Rated static loads apply for parts fastened to a flat, clean, dry surface and used within a temperature range of -30° to 65° C. We recommend clips be application-tested before being specified for production runs.

Tolerance all dimensions:  $\pm .030$ .

## Nylon Ladder Cable Clamps



These releasable, reusable and adjustable clamps are perfect for easy securing and bundling of wires and cables.

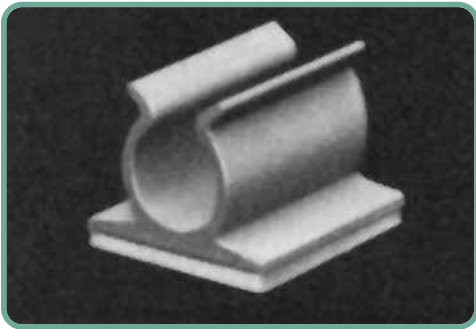
They offer flexibility and strength with high resistance to temperature and chemicals.

Adhesive-backed, will adhere to most clean, dry surfaces. Optional screw hole is provided.

Part No.	A	B	C	Maximum Bundle Diameter
<b>LCC 625</b>	.984	.709	.311	.669
<b>LCC 812</b>	1.200	.827	.472	.866
<b>LCC 1000</b>	1.200	.827	.472	1.024



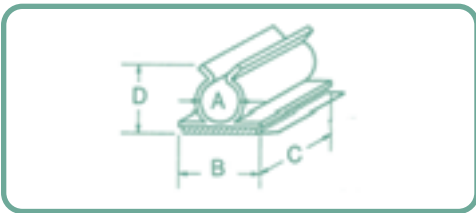
## PVC Adhesive Clips



Part No.	Min. Qty.	A	B	C	D
KKU 2	500	1/8	3/4	3/4	9/32
KKU 4	500	1/4	3/4	3/4	15/32
KKU 6-4	500	3/8	3/4	3/4	19/32
KKU 8	100	1/2	1	1	11/16
KKU 9	100	9/16	1	1	3/4
KKU 12	100	3/4	1	1	29/32

**Standard colour: Gray.**

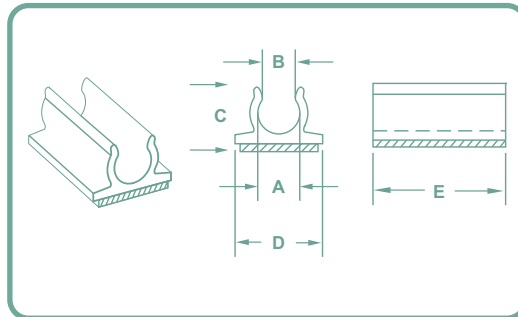
Also available in clear PVC by special order.



*Check out our other clips and clamps on pages 40-55.*



## PVC Antenna Clips



Convenient and economical way of routing any .25" diameter cable or tubing. Its compact design along with a strong acrylic adhesive backing (to allow for higher temperature applications) combine to make this clip especially suitable for mobile phone installations.

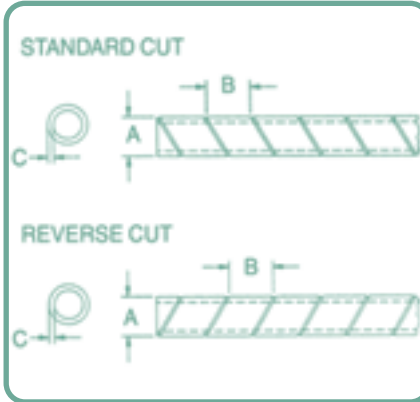
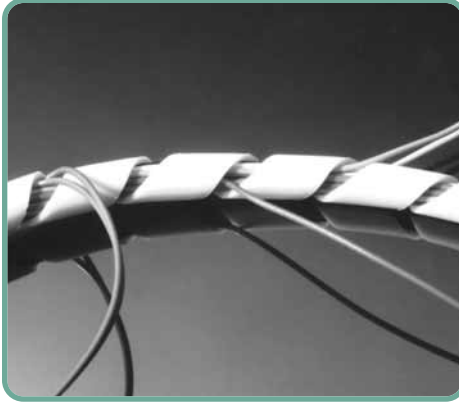
Available in black.

Part No.	A	B	C	D	E
062-0030	.19	.15	.27	.42	.63



# Curliflex

## SPIRAL-CUT CABLE WRAP



Wraps on like tape. Easy to remove and re-use. Allows branch-outs and break-outs of single/multiple wires and re-routing of replacement wires. The strong grip holds wires firmly while still allowing flexibility. Prevents kinking or curling of wires. Absorbs vibration, insulates cables and protects wires and tubes from abrasion.

Stocked in standard cut, but also available in reverse (opposite) cut at no additional charge. Reverse cut must be specified at time of order.

### Polyethylene

Part No. Natural	Part No. UV Black	Part No. Fire-Resistant	Bundle Range		A-Outside Diameter	B Pitch	C Thickness
			Minimum Diameter	Maximum Diameter			
CFX 1 PE	CFX 1 PE UV	CFX 1 PE FR	1/16	1/2	.125	.187	.032
CFX 1.5 PE	CFX 1.5 PE UV	CFX 1.5 PE FR	1/8	1-1/2	.187	.187	.031
CFX 2 PE	CFX 2 PE UV	CFX 2 PE FR	3/16	2	.250	.375	.045
CFX 3 PE	CFX 3 PE UV	CFX 3 PE FR	5/16	3	.375	.438	.052
CFX 4 PE	CFX 4 PE UV	CFX 4 PE FR	3/8	4	.500	.500	.062
CFX 5 PE	CFX 5 PE UV	CFX 5 PE FR	1/2	4-1/2	.625	.625	.062
CFX 6 PE	CFX 6 PE UV	CFX 6 PE FR	3/4	5	.750	.750	.065
CFX 8 PE	CFX 8 PE UV	CFX 8 PE FR	1	7	1.000	1.000	.095

Minimum order 1 roll.

Also available: Fluorescent colours (red, green, yellow) for extra visibility in potentially hazardous situations.

### Natural Nylon

Part No.	Bundle Range		A-Outside Diameter	B Pitch	C Thickness
	Minimum Diameter	Maximum Diameter			
CFX 1 NY	1/16	1/2	.125	.187	.015
CFX 1.5 NY	1/8	1-1/2	.187	.187	.020
CFX 2 NY	3/16	2	.250	.375	.025
CFX 3 NY	5/16	3	.375	.438	.035
CFX 4 NY	3/8	4	.500	.500	.034
CFX 5 NY	1/2	4-1/2	.625	.625	.032
CFX 6 NY	1/2	5	.750	.750	.032
CFX 8 NY	1	7	1.000	1.000	.032

Minimum order 1 roll.



# Wire and Paper Grommets

## WIRE GROMMETS

Used extensively on computer and office furniture to eliminate the chaos of office machine cords and computer cables.



**Rectangular:** Designed for an opening of approximately 3-1/4" x 1-7/8", this grommet features two different caps made to fit both bushings (one for wood and one for metal furniture). Cap #1, with a textured finish, has two separate half caps that come together to form a round hole. Cap #2 is a single piece with a smooth finish and a rectangular opening. It has a split body on one end to allow oversize connector bodies and plugs to be inserted. These all come in black, putty, walnut, light gray and white.

**Round:** The 2" system consists of a grommet, cap and slot cover which fits a 2.000" hole and comes in a smooth finish. It is available in black, putty, walnut, light

gray and white. In plated finishes, choose from chrome, antique or bright brass.

The 3" system, with its unique retractable self-storing slot cover, fits a 2.750" hole. In the closed position, the slot cover presents a neat, flat profile. In the open position, it provides a large opening for easy access to either retrieve the cover or remove the entire cap system from the grommet. Available in black, putty, walnut, light gray and white.

The 3-5/8" system is designed for applications with multiple or large leads, connectors or plugs. It press-fits into a 3.250" hole. Available in black, beige, walnut and light gray.

## PAPER GROMMETS

These help eliminate paper jams and keep computer paper feeding smoothly.



**Low profile:** Made of high impact polystyrene, this grommet accommodates computer paper up to 16" wide and fits into a 1-5/8" x 16-5/8" slot. Its ultra thin lip (.040") makes an ideal bushing to be installed under any type of printer. There is an optional divider bar that snaps easily into place to allow for two-way paper flow.

Available in matte finish black, putty or walnut.

**Standard, impact-resistant:**

Considered to be the industry standard, this grommet accommodates computer paper up to 17" wide. It fits into a 1.671" x 17.156" slot. Available in black, beige and walnut.