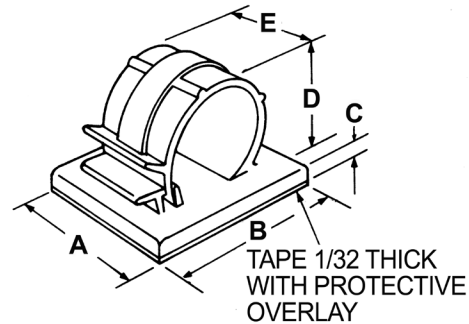
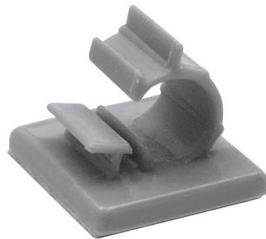


Nylon Adhesive C Clamps

Exceptionally high performance clips use an easy-to-install adhesive mounting system to speed assembly, improve product appearance and to simplify wire run installations in almost any location. Convenient tabs allow for easy access to wire. Recommended installation and storage temperatures are 15° to 27°C. Available in 94V-0 Polypropylene material for an additional charge. Add -V0 suffix to part number when ordering.



Part No.	A (In)	A (mm)	B (In)	B (mm)	C (In)	C (mm)	D (In)	D (mm)	E (In)	E (mm)	Max Bundle Dia. (fraction)	Max Bundle Dia. (In)	Max Bundle Dia. (mm)	Rated Static Load (lb)
K21-0188	0.740	18.80	0.620	15.75	0.080	2.03	0.335	8.51	0.390	9.91	3/16	0.188	4.76	1/2
021-0250	1.000	25.40	0.870	22.10	0.100	2.54	0.420	10.67	0.630	16.00	1/4	0.250	6.35	3/4
021-0375	1.000	25.40	1.000	25.40	0.090	2.29	0.500	12.70	0.630	16.00	3/8	0.375	9.53	1
021-0500	1.000	25.40	1.210	30.73	0.110	2.79	0.680	17.27	0.640	16.26	1/2	0.500	12.70	1-1/4
021-0750	1.150	29.21	1.450	36.83	0.125	3.18	0.990	25.15	0.640	16.26	3/4	0.750	19.05	1-3/4
021-1000	1.980	50.29	2.240	56.90	0.140	3.56	1.370	34.80	1.260	32.00	1	1.000	25.40	4
021-1500	2.420	61.47	2.950	74.93	0.150	3.81	1.770	44.96	1.310	33.27	1-1/2	1.500	38.10	6

Colour: Gray (UL94V-2)

Rated static loads apply for parts fastened to a flat, clean, dry surface and used within a temperature range of -30° to 65° C. We recommend clips be application-tested before being specified for production runs.

Countless Possibilities, Millions Of Solutions
(416) 242-6811