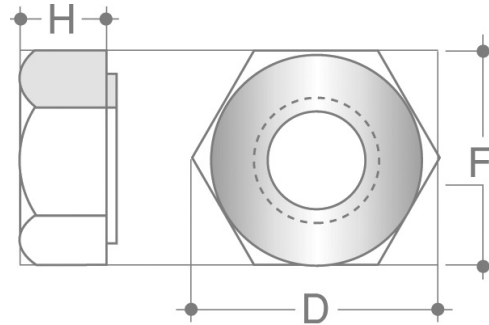


Nylon Hex Pipe Nuts

These natural nylon nuts are for use where insulation is desirable, such as plumbing, electrical work, etc. Fit NPT sizes. Straight thread (available taper thread).



Part No.	F (in)	F (mm)	D (in)	D (mm)	H (in)	H (mm)	Material	Colour
PN-1/8*	0.562	14.27	0.640	16.26	0.225	5.72	Nylon	Natural
PN-1/4	0.812	20.62	0.943	23.95	0.232	5.89	Nylon	Natural
PN-3/8	1.000	25.40	1.130	28.70	0.285	7.24	Nylon	Natural
PN-1/2	1.250	31.75	1.400	35.56	0.362	9.19	Nylon	Natural
PN-3/4	1.500	38.10	1.700	43.18	0.409	10.39	Nylon	Natural

Minimum order 100.

*This size only double chamfered; all others washer-faced. All sizes also available taper tapped (NPT).

Countless Possibilities, Millions Of Solutions
(416) 242-6811